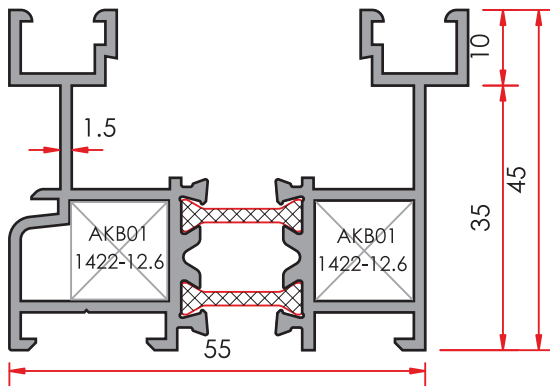
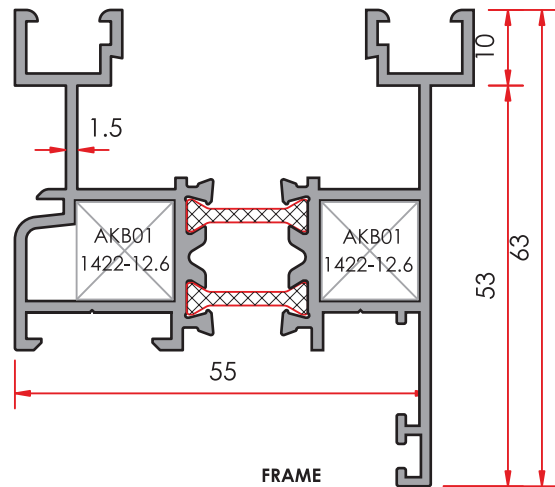


System Code	Profile No	Weight kg/mt	Jxx cm4	Jyy cm4
<b>AS55 TF 01</b>	1410-1411	1,960	83,38	12,60



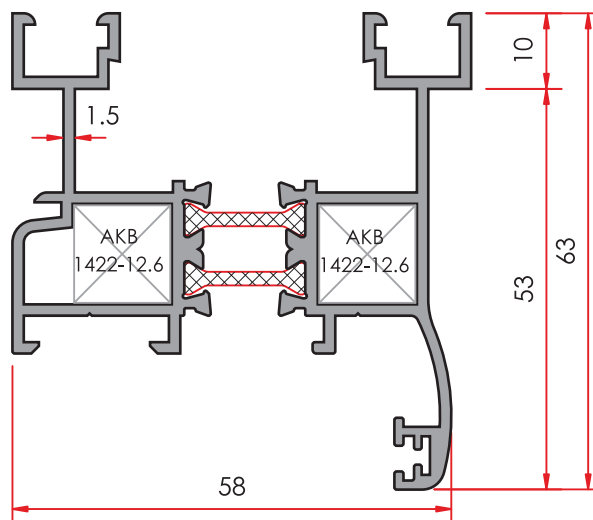
**FRAME  
KASA**

System Code	Profile No	Weight kg/mt	Jxx cm4	Jyy cm4
<b>AS55 TF 02</b>	1412-1411	1,333	17,50	7,99



**FRAME  
KASA**

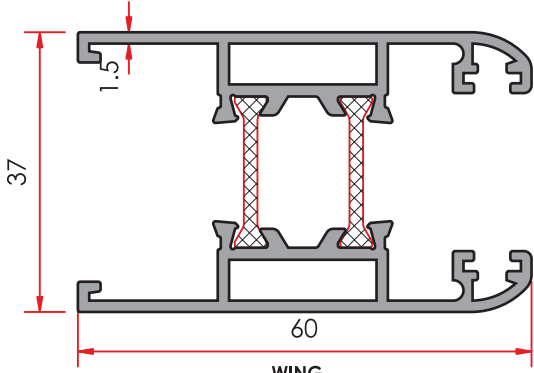
System Code	Profile No	Weight kg/mt	Jxx cm4	Jyy cm4
<b>AS55 TF 03</b>	1412-1413	1,431	19,92	10,59



**FRAME  
KASA**

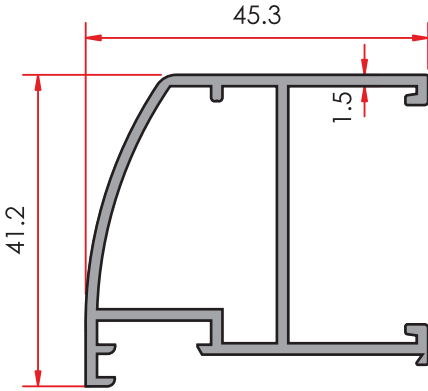
System Code	Profile No	Weight kg/mt	Jxx cm4	Jyy cm4
<b>AS55 TF 04</b>	1430-1411	1,456	21,52	11,15

# AS 55» ALCAS SLIDING 55



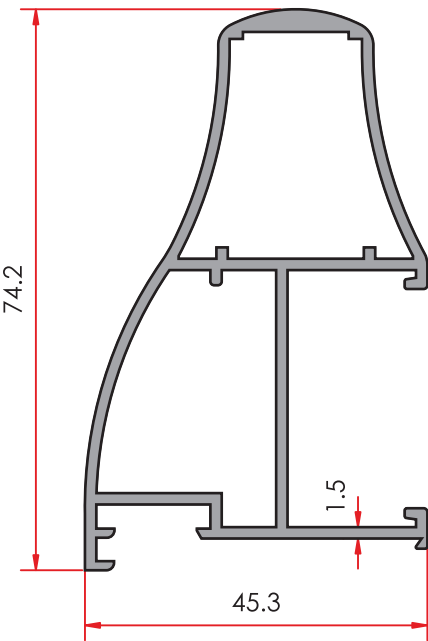
**WING**  
Kanat

System Code	Profile No	Weight kg/mt	Jxx cm4	Jyy cm4
<b>AS55 TV 01</b>	1417-1417	1,211	10,74	8,95



**WING**  
Kanat

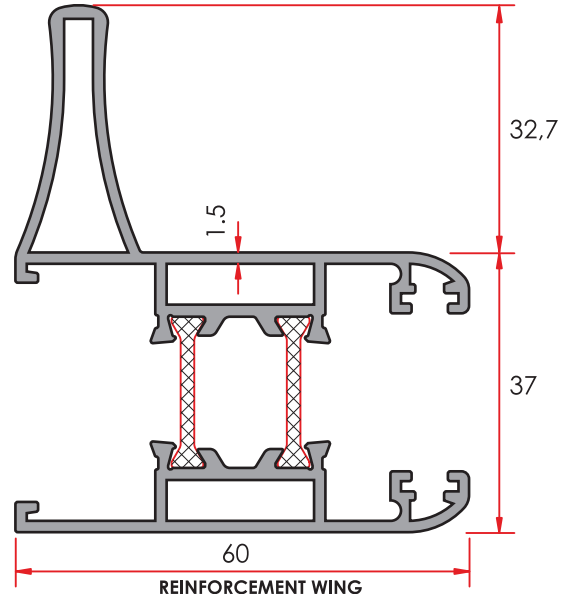
System Code	Profile No	Weight kg/mt	Jxx cm4	Jyy cm4
<b>AS55 TV 05</b>	1419	0,709	5,43	4,77



**REINFORCEMENT WING**  
Takviyeli Kanat

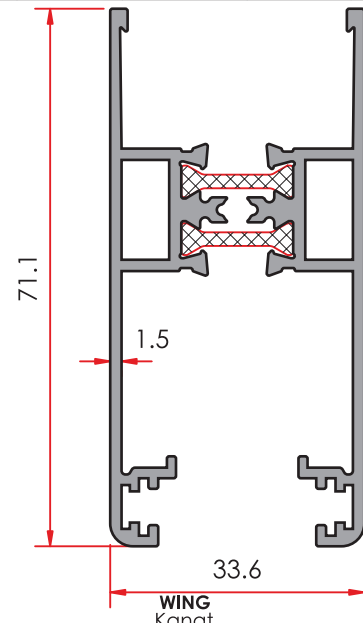
www.alcas.com.tr

System Code	Profile No	Weight kg/mt	Jxx cm4	Jyy cm4
<b>AS55 TV 06</b>	1418	1,095	22,53	6,08



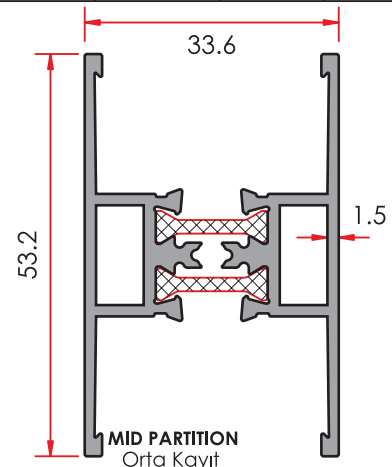
**REINFORCEMENT WING**  
Takviyeli Kanat

System Code	Profile No	Weight kg/mt	Jxx cm4	Jyy cm4
<b>AS55 TV 02</b>	1417-1416	1,505	26,44	10,65



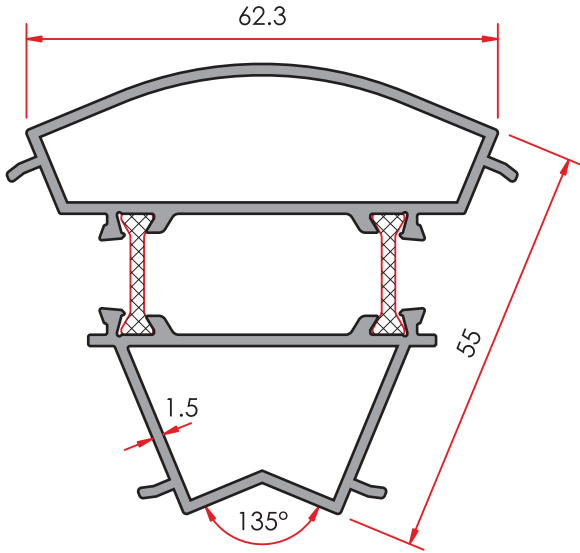
**WING**  
Kanat

System Code	Profile No	Weight kg/mt	Jxx cm4	Jyy cm4
<b>AS55 TV 04</b>	1421-1421	1,254	7,51	16,14



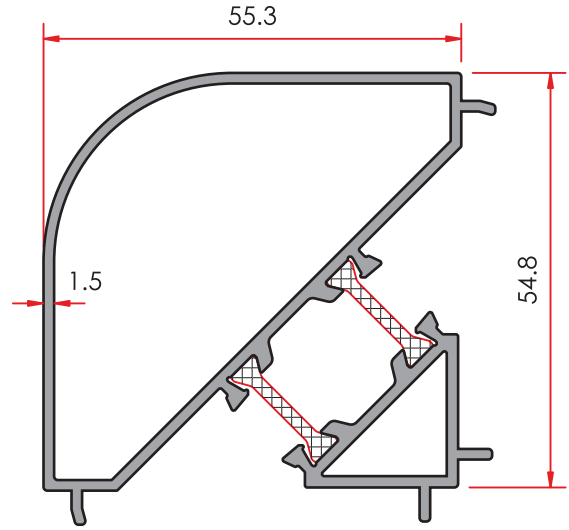
**MID PARTITION**  
Orta Kayit

System Code	Profile No	Weight kg/mt	Jxx cm4	Jyy cm4
<b>AS55 TV 07</b>	1420	0,974	4,35	6,05



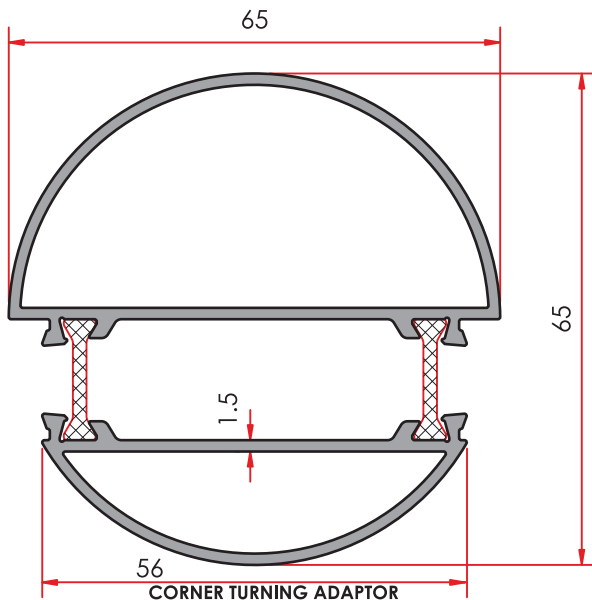
**135 ° CORNER TURNING**  
135° Köşe Dönüş

System Code	Profile No	Weight kg/mt	Jxx cm4	Jyy cm4
<b>AW55 TC 01</b>	1356-1357	1,360	15,62	14,63



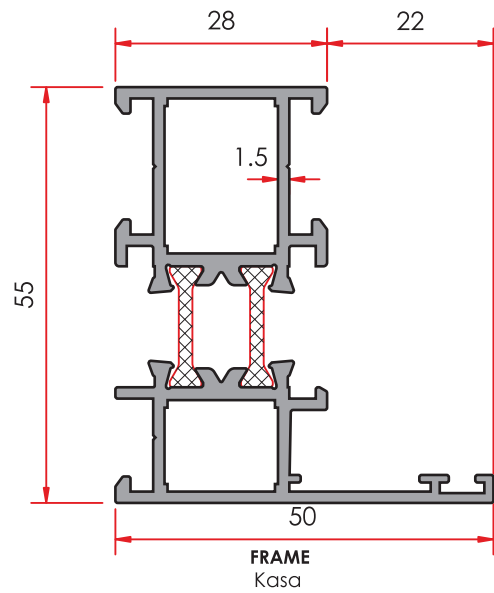
**90 ° CORNER TURNING**  
90° Köşe Dönüş

System Code	Profile No	Weight kg/mt	Jxx cm4	Jyy cm4
<b>AW55 TC 02</b>	1388-1389	1,296	17,13	15,20



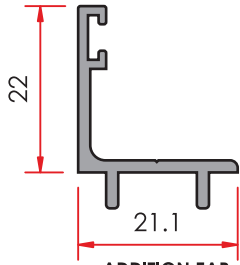
**CORNER TURNING ADAPTOR**  
Köşe Dönüş Profili

System Code	Profile No	Weight kg/mt	Jxx cm4	Jyy cm4
<b>AW55 TC 03</b>	1360-1361	1,443	22,58	17,38



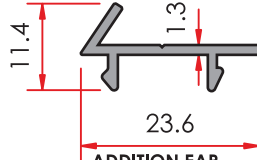
**FRAME**  
Kasa

System Code	Profile No	Weight kg/mt	Jxx cm4	Jyy cm4
<b>AW55 TF 1503</b>	1335-1336	1,209	14,56	4,78



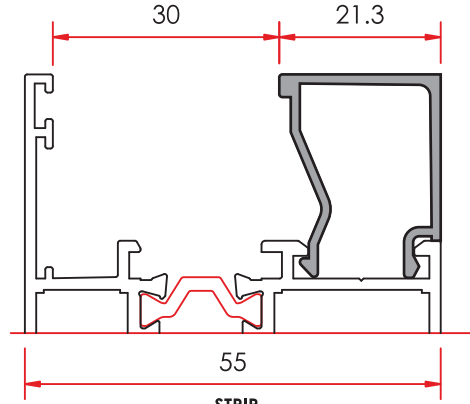
**ADDITION EAR**  
İlave Kulak

System Code	Profile No	Weight kg/mt
AWD60 A 05	1610	0,237



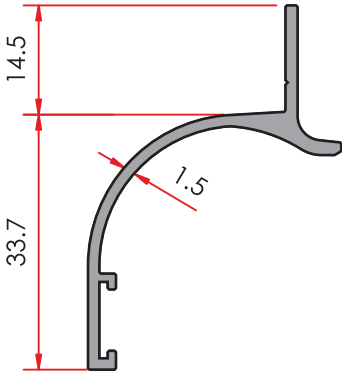
**ADDITION EAR**  
İlave Kulak

System Code	Profile No	Weight kg/mt
AS50 A 01	1318	0,139



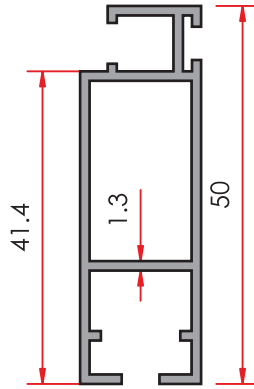
**STRIP**  
Çıta

System Code	Profile No	Weight kg/mt
22 G 03	1368	0,277



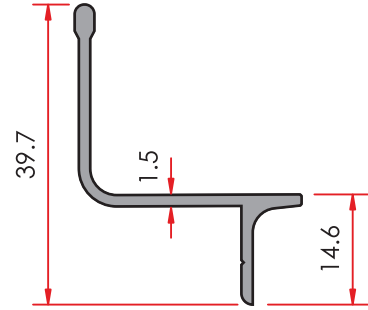
**DROPPER PROFILE**  
Damlalık Profili

System Code	Profile No	Weight kg/mt
AS50 A 05	1426	0,352



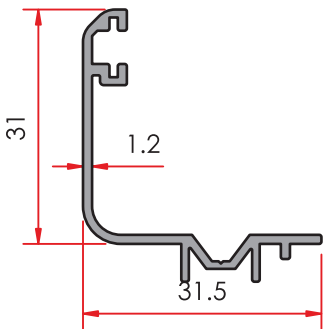
**FLYSWATTER PROFILE**  
Sineklik Profili

System Code	Profile No	Weight kg/mt
AS50 A 02	1409	0,493



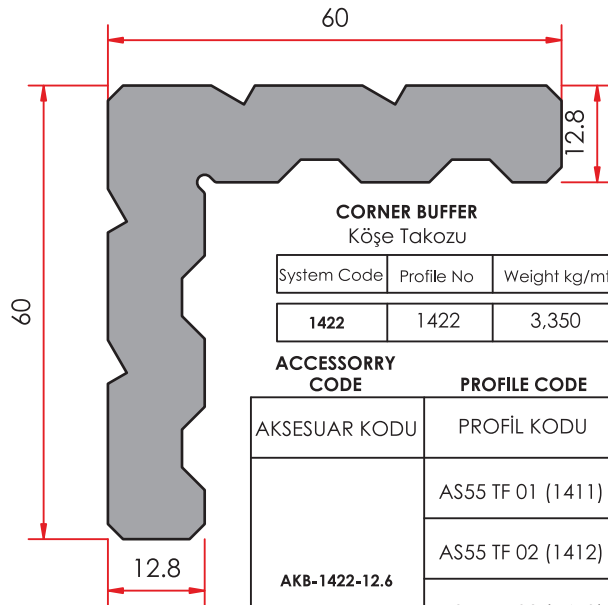
**FLYSWATTER RAIL**  
Sineklik Rayı

System Code	Profile No	Weight kg/mt
AS50 A 03	1427	0,286



**BORDER PROFILE**  
Pervaz Profili

System Code	Profile No	Weight kg/mt
AS50 A 06	1428	0,278



**CORNER BUFFER**  
Köşe Takozu

System Code	Profile No	Weight kg/mt
1422	1422	3,350

**ACCESSORY CODE**

**PROFILE CODE**

**CUTTING SIZE**

AKSESUAR KODU	PROFİL KODU	KESİM ÖLÇÜSÜ (mm)
AKB-1422-12.6	AS55 TF 01 (1411)	12,6
	AS55 TF 02 (1412)	
	AS55 TF 02 (1413)	
	AS55 TF 04 (1430)	
AKB-1422-59	AS55 TF 01 (14109)	59