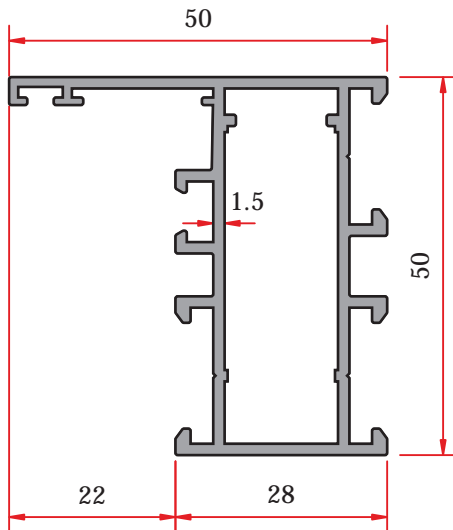


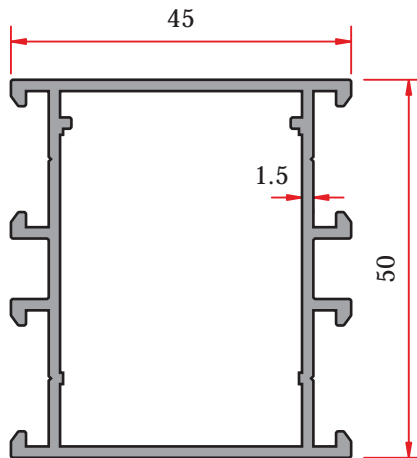
FRAME
Kasa

System Code	Profile No	Weight kg/mt	Jxx cm ⁴	Jyy cm ⁴
AW50 F 1501	1301	1,048	16,67	10,65



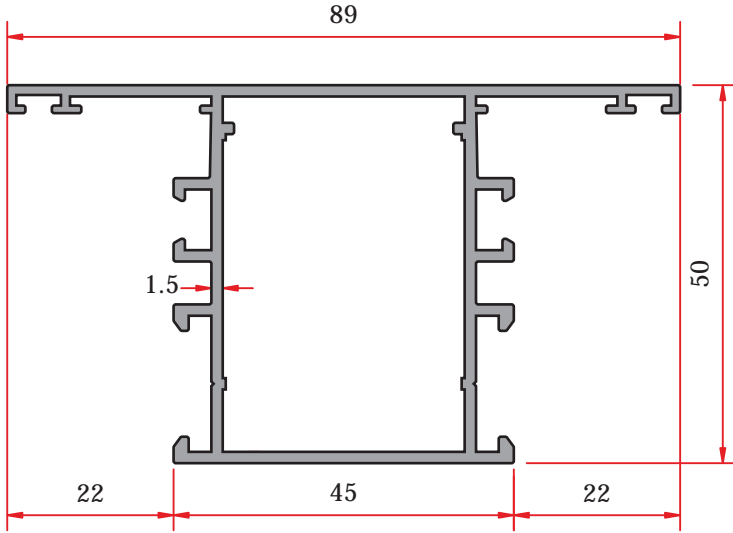
FRAME
Kasa

System Code	Profile No	Weight kg/mt	Jxx cm ⁴	Jyy cm ⁴
AW50 F 1502	1302	0,910	11,41	4,29



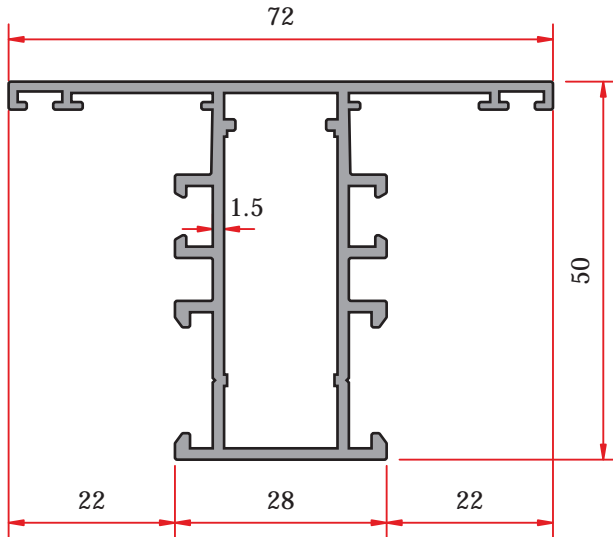
FRAME
Kasa

System Code	Profile No	Weight kg/mt	Jxx cm ⁴	Jyy cm ⁴
AW50 F 1503	1300	0,918	11,64	8,93



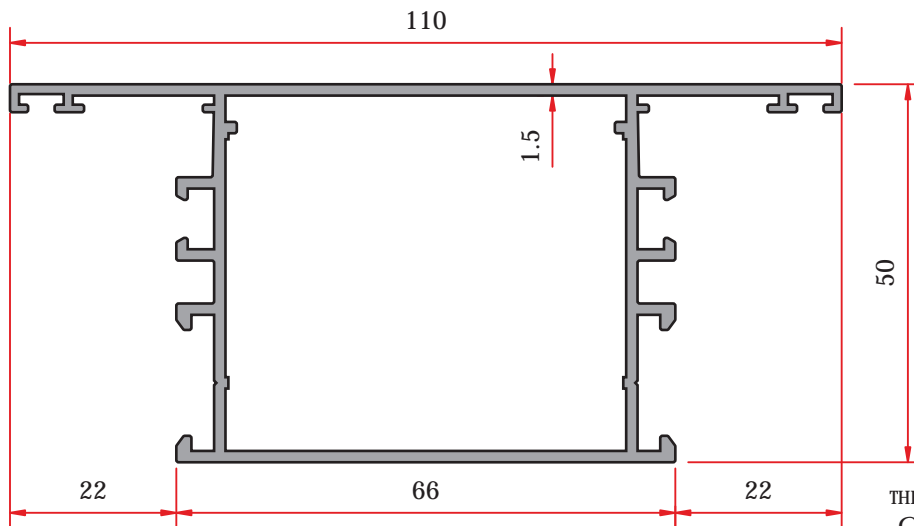
MID PARTITION
Orta Kayıt

System Code	Profile No	Weight kg/mt	Jxx cm4	Jyy cm4
AW50 M 1501	1304	1,178	19,48	15,22



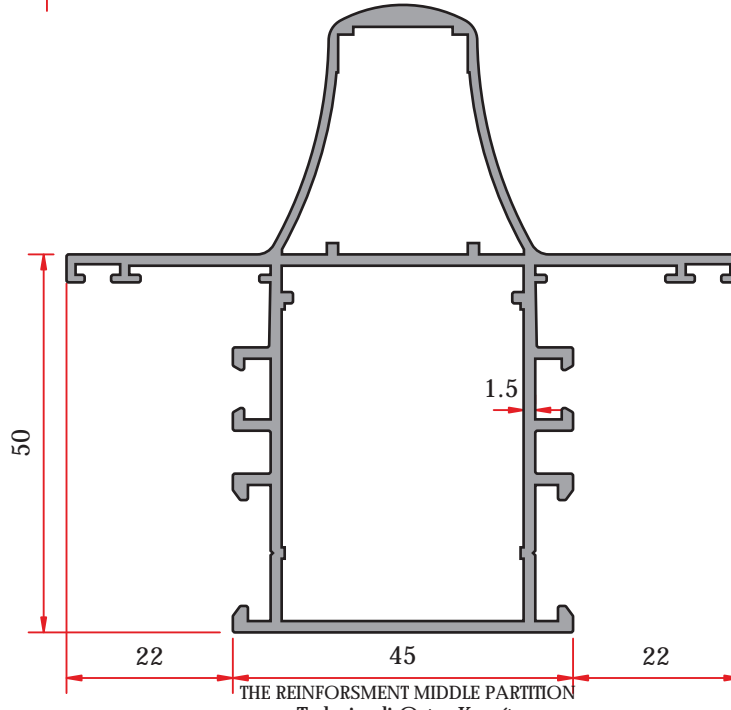
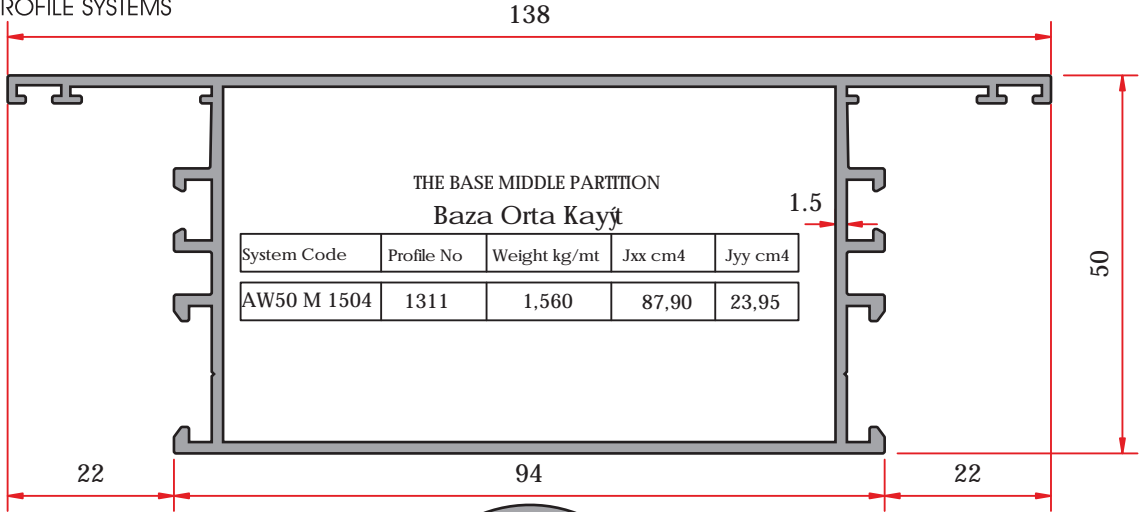
THE NARROW MID PARTITION
Dar Orta Kayıt

System Code	Profile No	Weight kg/mt	Jxx cm4	Jyy cm4
AW50 M 1502	1305	1,040	12	8,46

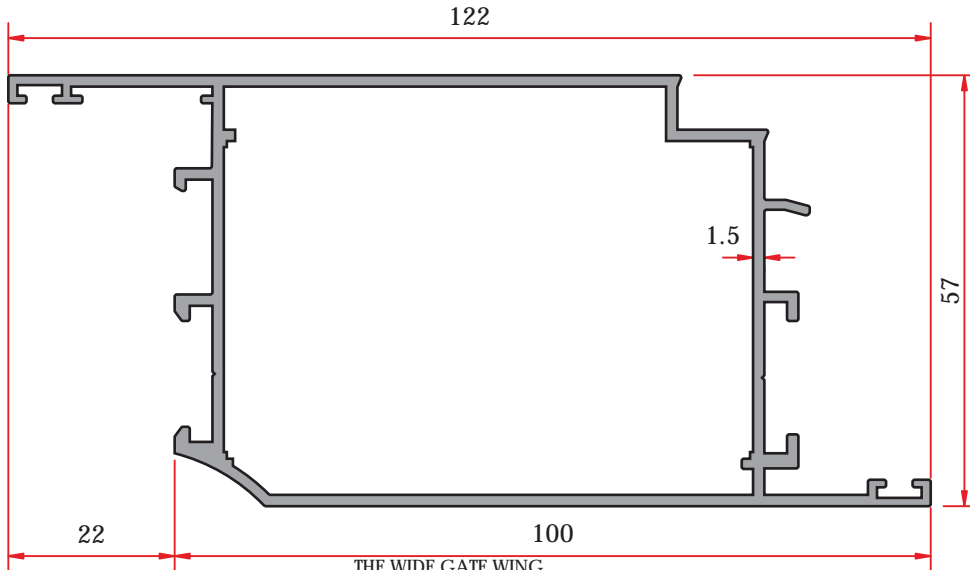


THE WIDE MID PARTITION
Geniş Orta Kayıt

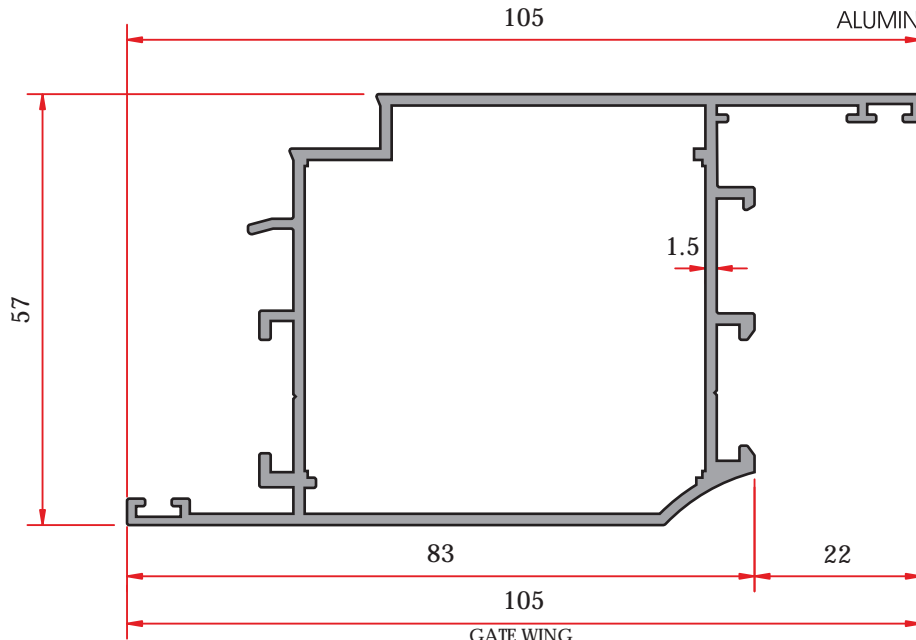
System Code	Profile No	Weight kg/mt	Jxx cm4	Jyy cm4
AW50 M 1503	1303	1,351	41,87	19,05



System Code	Profile No	Weight kg/mt	Jxx cm4	Jyy cm4
AW50 M 1505	1372	1,520	32,31	20,78

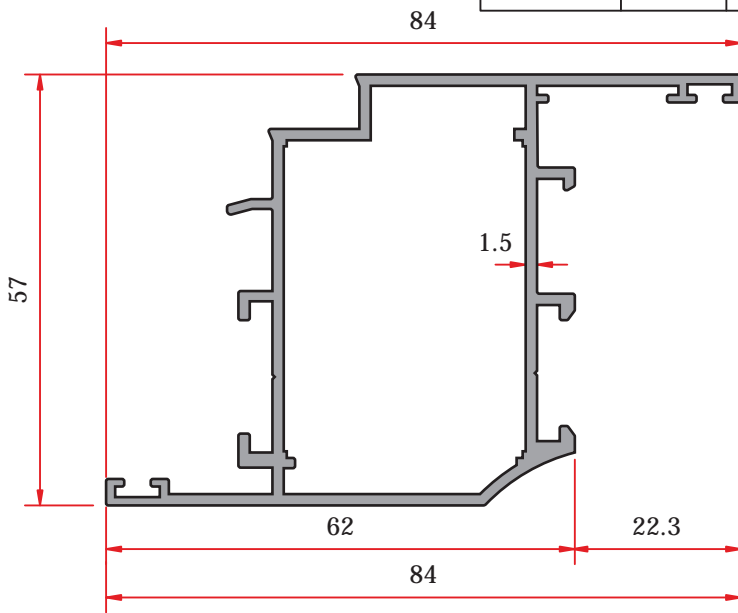


System Code	Profile No	Weight kg/mt	Jxx cm4	Jyy cm4
AW50 V 1501	1306	1,454	67,28	23,66



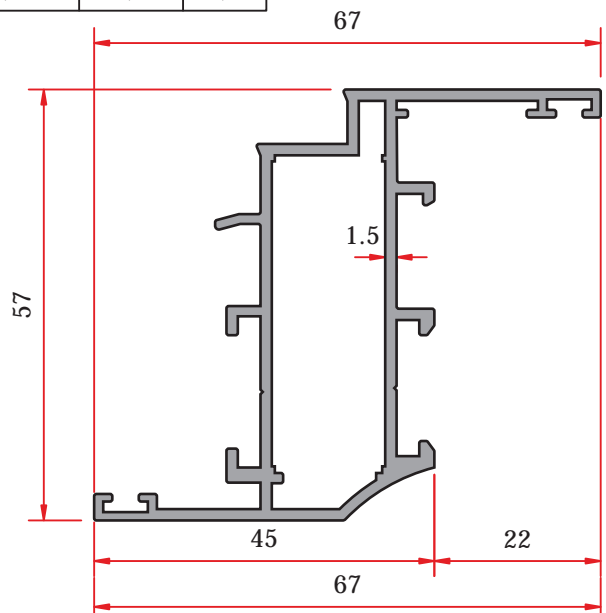
GATE WING
Kapı Kanadı

System Code	Profile No	Weight kg/mt	Jxx cm4	Jyy cm4
AW50 V 1502	1307	1,316	44,38	18,45



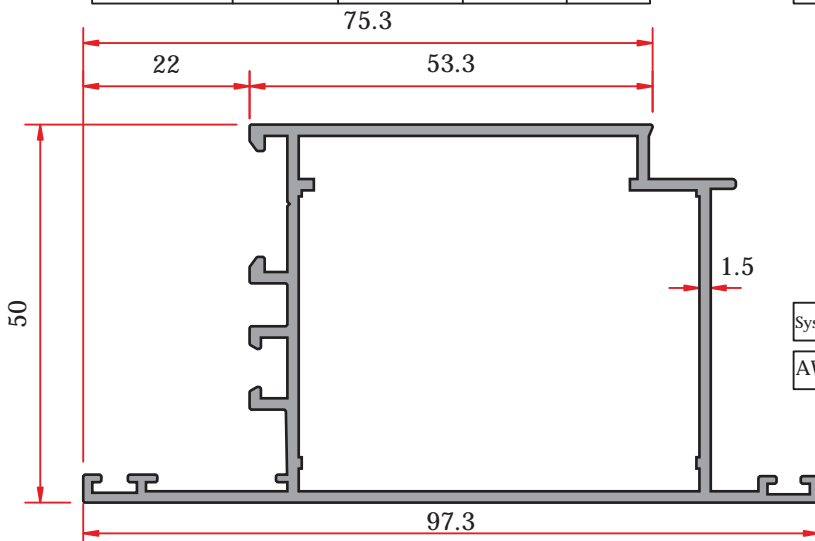
GATE WING
Kapı Kanadı

System Code	Profile No	Weight kg/mt	Jxx cm4	Jyy cm4
AW50 V 1503	1308	1,145	26,73	9,98



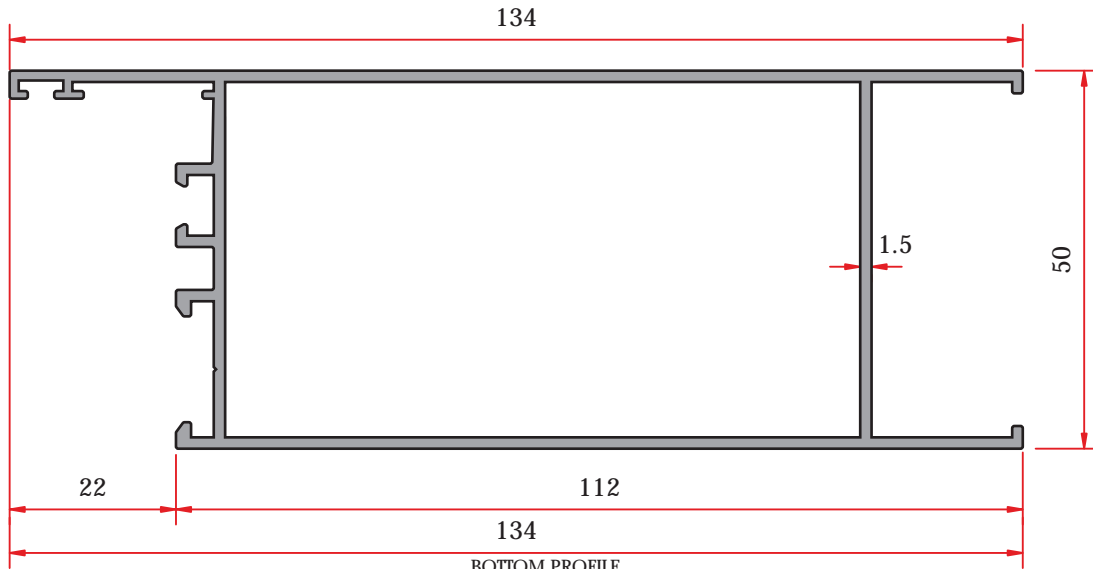
NARROW WING
Dar Kanat

System Code	Profile No	Weight kg/mt	Jxx cm4	Jyy cm4
AW50 V 1504	1309	1,000	18,57	3,93



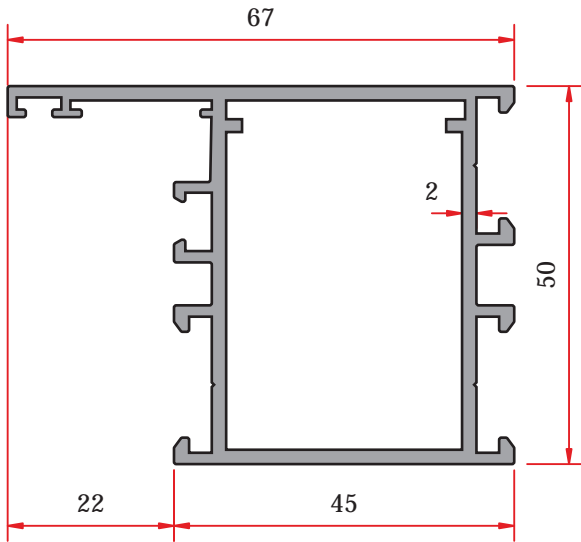
THE OPEN OUT WING
Dış Açılı Kanat

System Code	Profile No	Weight kg/mt	Jxx cm4	Jyy cm4
AW50 V 1505	1310	1,185	30,88	16,94



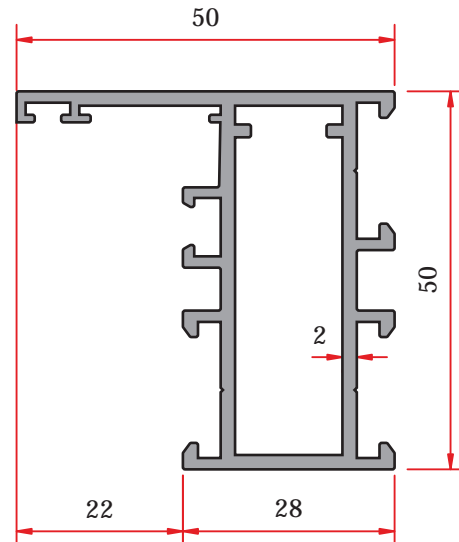
BOTTOM PROFILE
Etek Profili

System Code	Profile No	Weight kg/mt	Jxx cm ⁴	Jyy cm ⁴
AW50 K 1501	1312	1,510	87,41	24,58



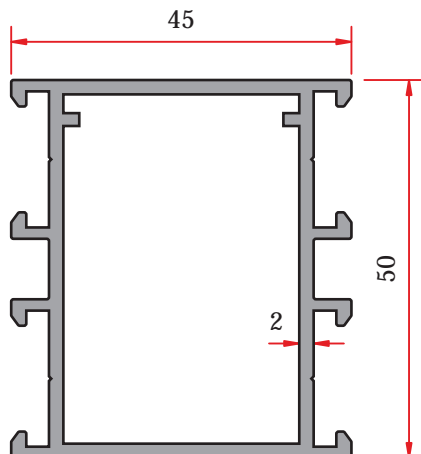
FRAME
Kasa

System Code	Profile No	Weight kg/mt	Jxx cm ⁴	Jyy cm ⁴
AW50 F 2001	1700	1,240	19,29	12,13



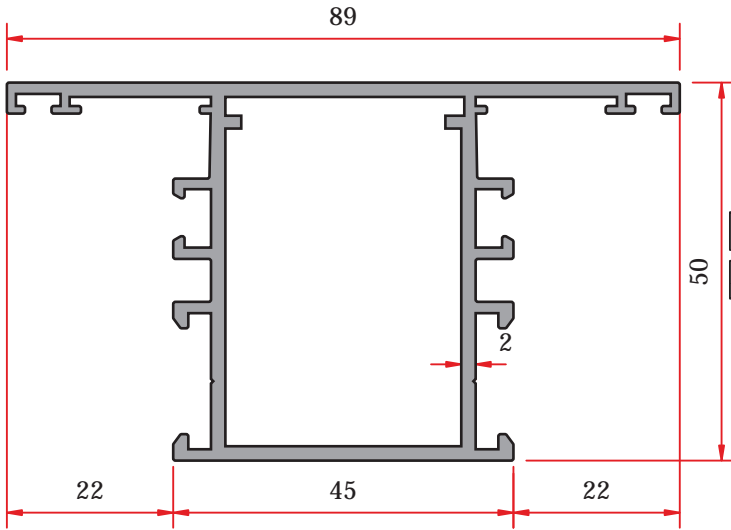
NARROW FRAME
Dar Kasa

System Code	Profile No	Weight kg/mt	Jxx cm ⁴	Jyy cm ⁴
AW50 F 2002	1701	1,068	13,15	4,78



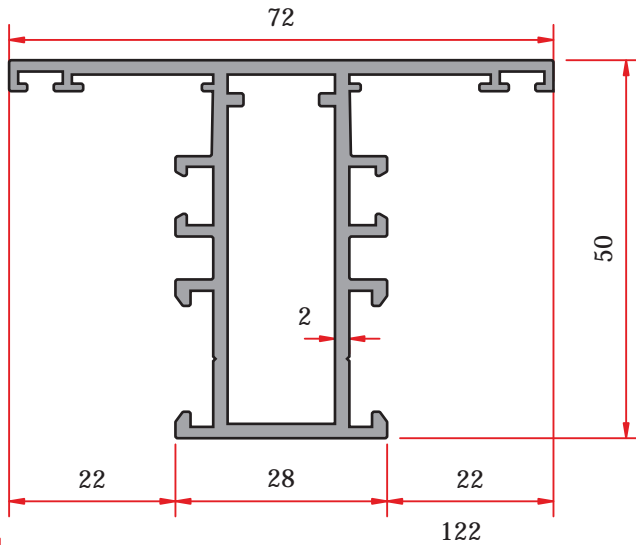
FRAME
Kasa

System Code	Profile No	Weight kg/mt	Jxx cm ⁴	Jyy cm ⁴
AW50 F 2003	1709	1,089	13,65	9,93



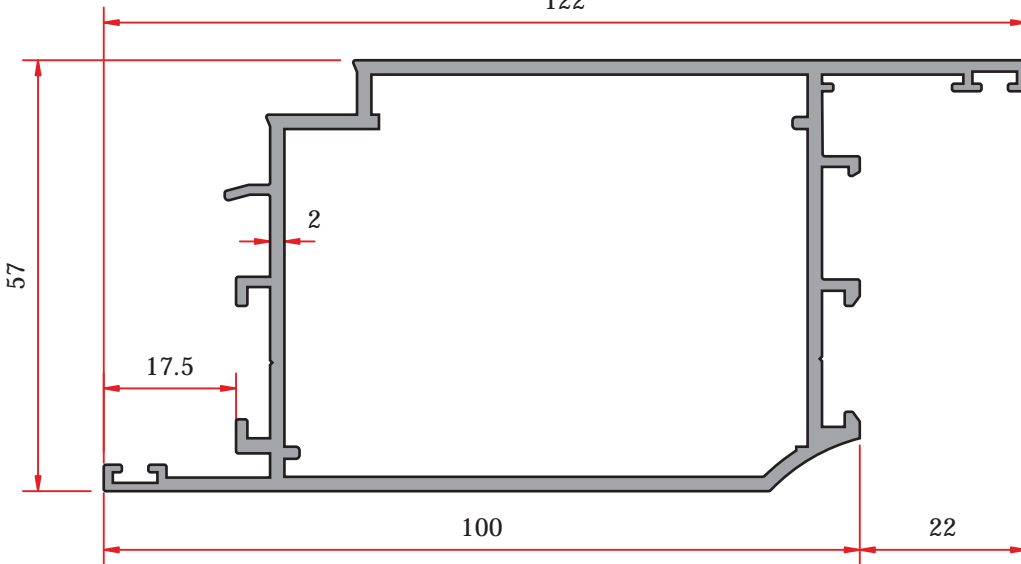
MIDDLE PARTITION
Orta Kayıt

System Code	Profile No	Weight kg/mt	Jxx cm4	Jyy cm4
AW50 M 2001	1702	1,395	22,31	17,99



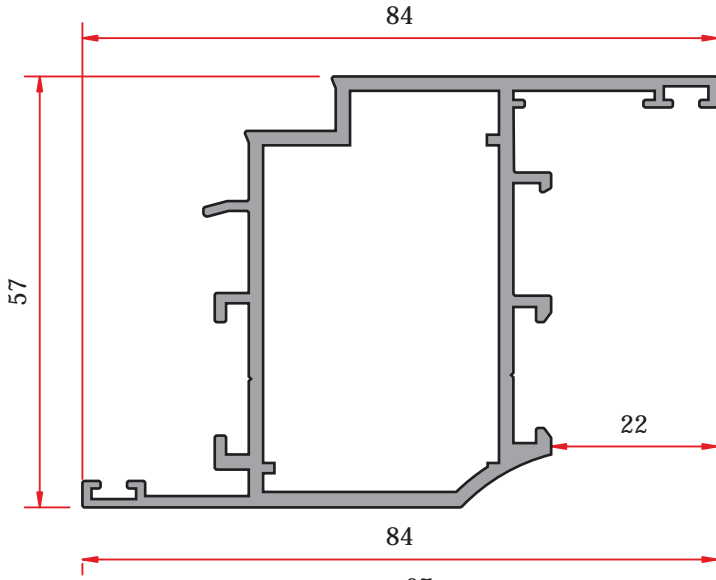
THE NARROW MIDDLE PARTITION
Dar Orta Kayıt

System Code	Profile No	Weight kg/mt	Jxx cm4	Jyy cm4
AW50 M 2002	1703	1,222	14,09	9,63



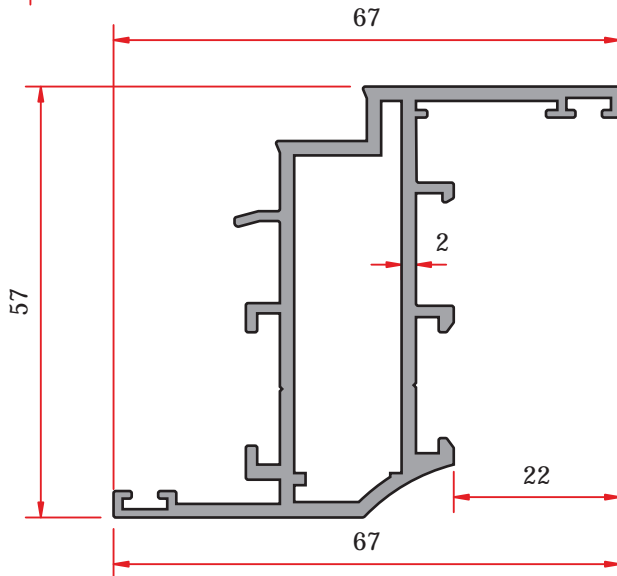
THE WIDE GATE WING
Geniş Kapı Kanat

System Code	Profile No	Weight kg/mt	Jxx cm4	Jyy cm4
AW50 V 2001	1704	1,758	76,20	28,91



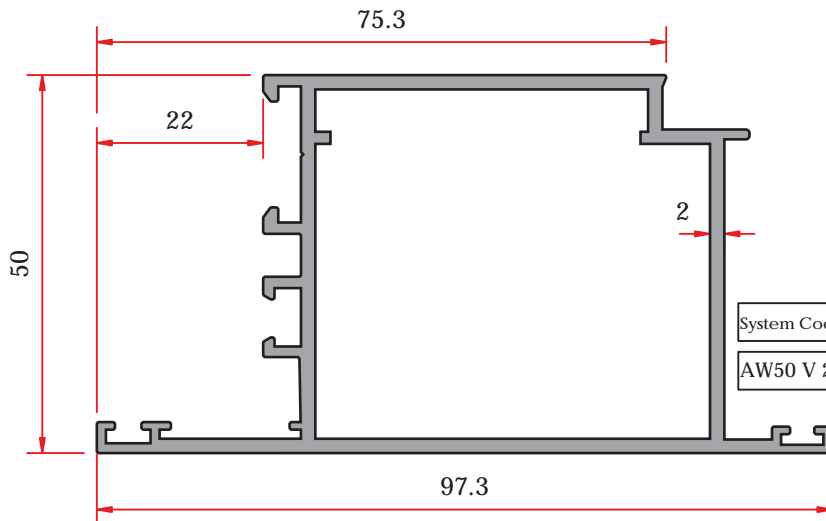
GATE WING
Kapı Kanat

System Code	Profile No	Weight kg/mt	Jxx cm ⁴	Jyy cm ⁴
AW50 V 2003	1705	1,352	29,92	11,43



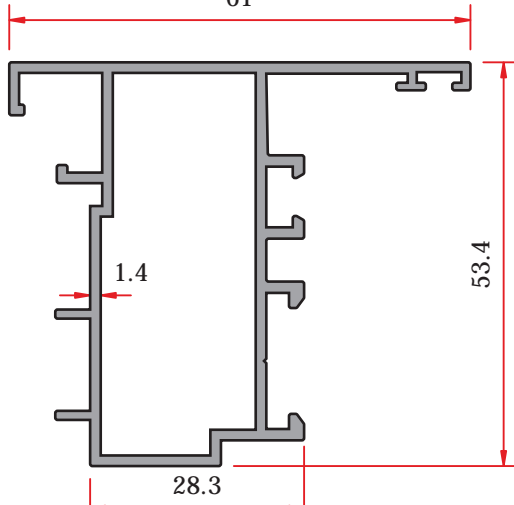
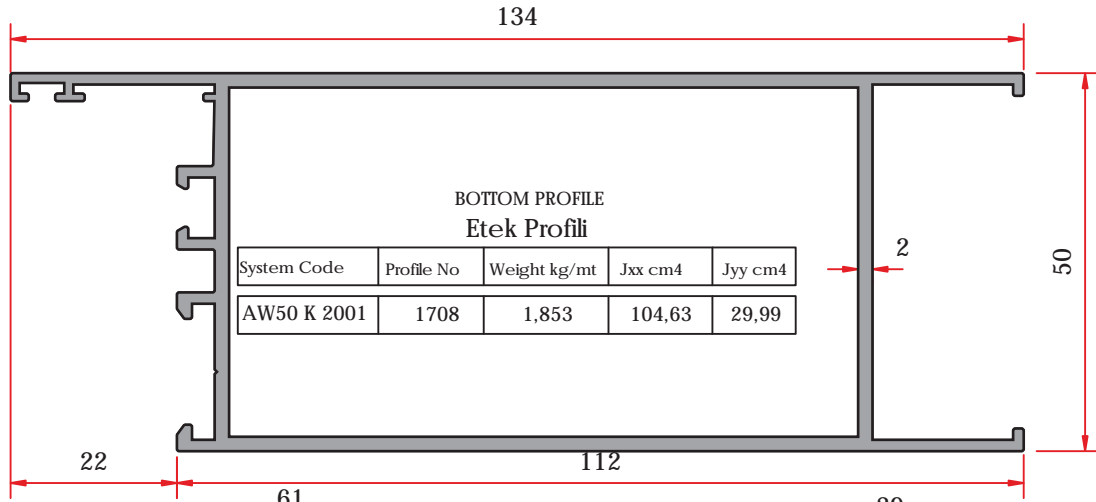
NARROW WING
Dar Kanat

System Code	Profile No	Weight kg/mt	Jxx cm ⁴	Jyy cm ⁴
AW50 V 2004	1706	1,179	21,99	4,40



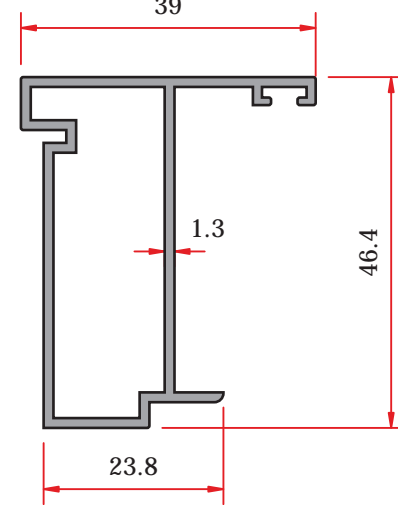
THE OPEN OUT WING
Dış Açılır Kanat

System Code	Profile No	Weight kg/mt	Jxx cm ⁴	Jyy cm ⁴
AW50 V 2005	1707	1,422	35,35	20,11



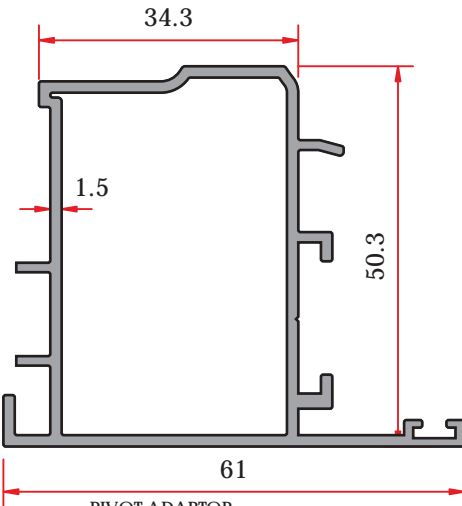
DOUBLE SIDE WING ADAPTOR
Çift Kanat Adaptörü

System Code	Profile No	Weight kg/mt
AW50 A 01	1313	0,930



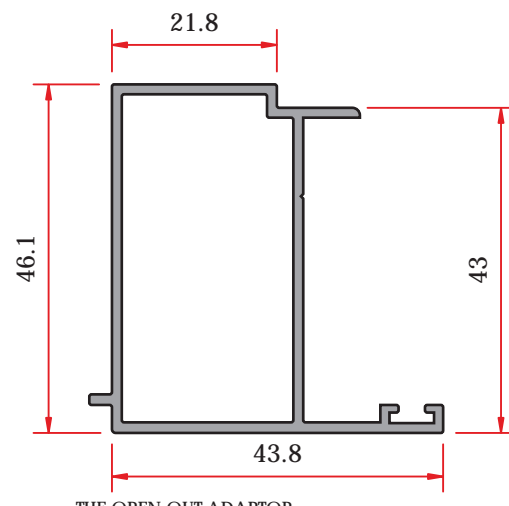
THE OPEN OUT DOUBLE SIDE WING ADAPTOR
Dış Açılı Çift Kanat Adaptörü

System Code	Profile No	Weight kg/mt
AW50 A 02	1314	0,582



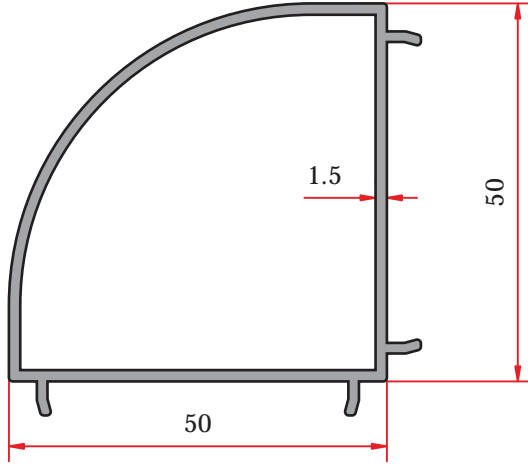
PIVOT ADAPTOR
Pivot Adaptörü

System Code	Profile No	Weight kg/mt
AW50 A 03	1380	0,913



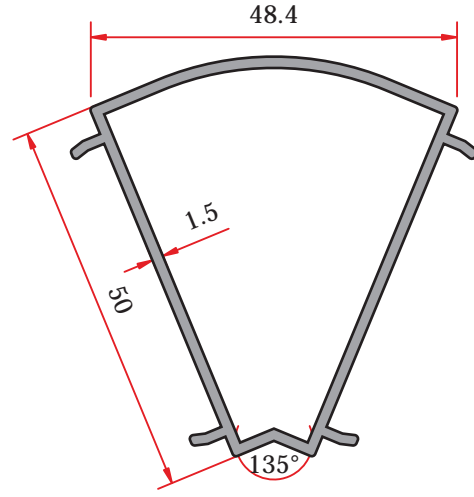
THE OPEN OUT ADAPTOR
Dış Açılı Adaptör

System Code	Profile No	Weight kg/mt
AW50 A 05	1383	0,615



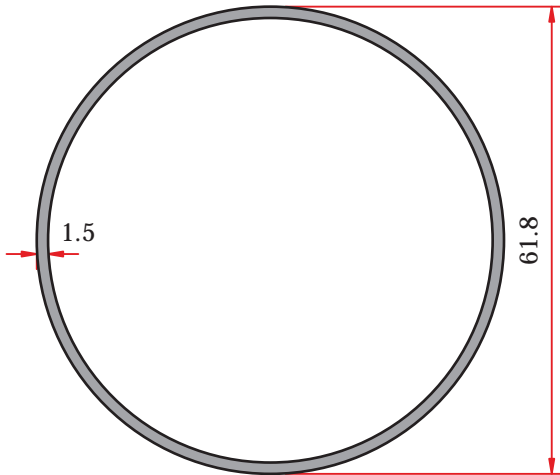
90 ° CORNER TURNING
90 ° KÖPE DÖNÜP

System Code	Profile No	Weight kg/mt
AS50 C 01	1315	0,789



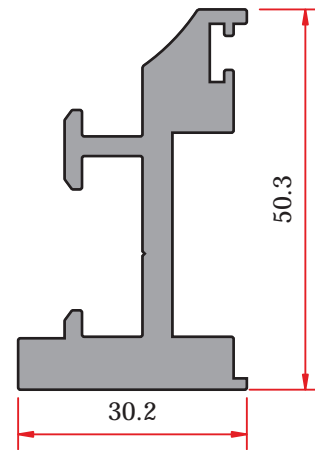
135 ° CORNER TURNING
135 ° KÖPE DÖNÜP

System Code	Profile No	Weight kg/mt
AS50 C 02	1316	0,704



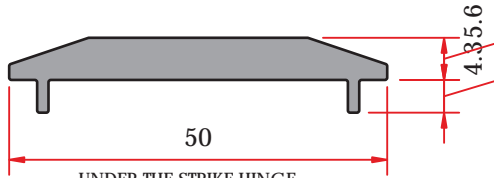
ROUND CORNER TURNING
Yuvarlak Köpe Dönüş

System Code	Profile No	Weight kg/mt
AS50 C 03	1322	0,770



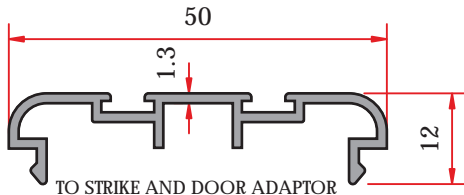
PIVOT HINGE
PİVOT MENTEPE

System Code	Profile No	Weight kg/mt
AW50 H 01	1382	0,371



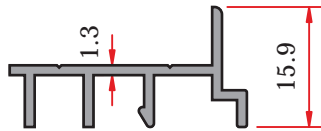
UNDER THE STRIKE HINGE
Çarpma Menteşe Altı

System Code	Profile No	Weight kg/mt
AW50 A 04	1381	0,691



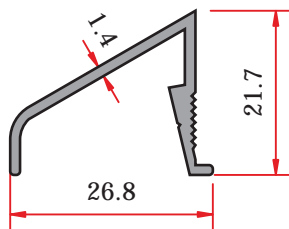
TO STRIKE AND DOOR ADAPTOR
Çarpma Kapı Adaptörü

System Code	Profile No	Weight kg/mt
AW50 A 06	1326	0,336



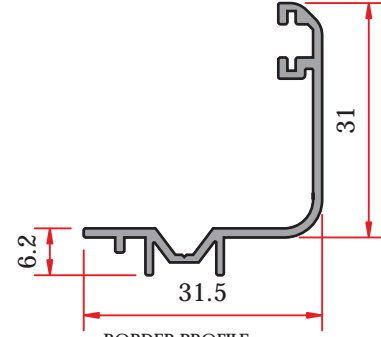
THE OPEN OUT FIXED ADAPTOR
Dış Açılır Sabit Adaptör

System Code	Profile No	Weight kg/mt
AW50 A 08	1317	0,234



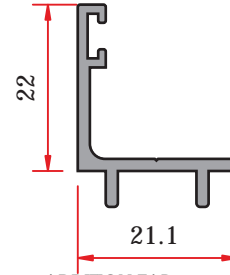
DROPPER
Damlalık

System Code	Profile No	Weight kg/mt
AW50 A 09	1321	0,227



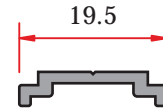
BORDER PROFILE
Pervaz Profili

System Code	Profile No	Weight kg/mt
1428	1428	0,278



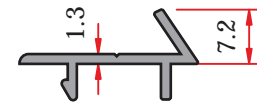
ADDITION EAR
İlave Kulak

System Code	Profile No	Weight kg/mt
AWD60 A 05	1610	0,237



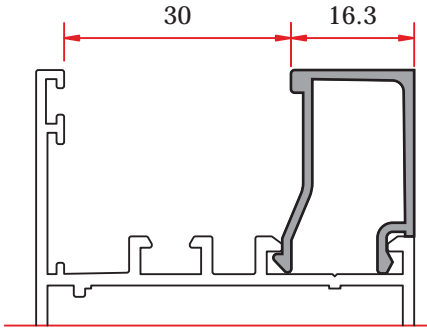
TJ
Tj

System Code	Profile No	Weight kg/mt
AW50 A 10	1375	0,106



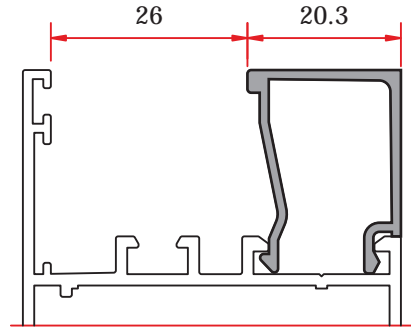
CORNER TURNING ADAPTOR
Köşe Dönüş Adaptörü

System Code	Profile No	Weight kg/mt
AS50 A 01	1318	0,139



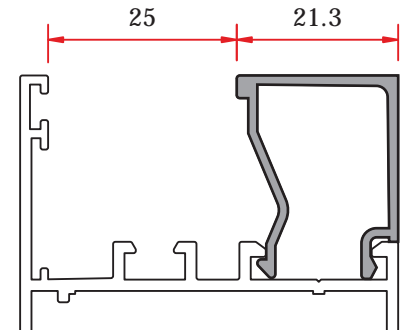
STRIP
Çıta

System Code	Profile No	Weight kg/mt
22 G 01	1367	0,257



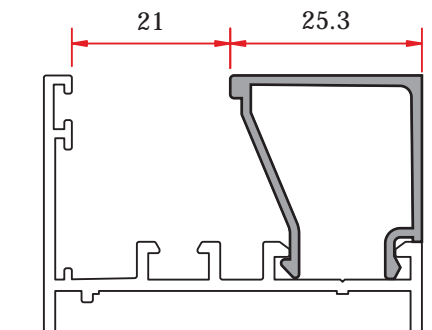
STRIP
Çıta

System Code	Profile No	Weight kg/mt
22 G 02	1366	0,270



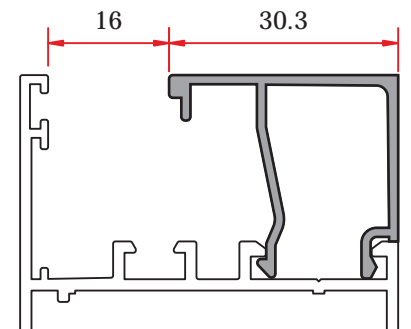
STRIP
Çıta

System Code	Profile No	Weight kg/mt
22 G 03	1368	0,277



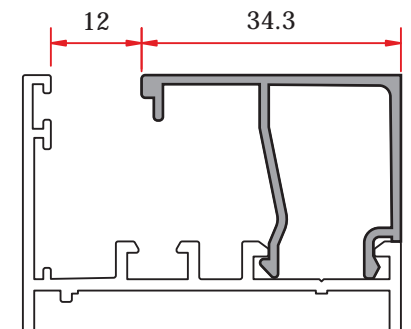
STRIP
Çıta

System Code	Profile No	Weight kg/mt
22 G 04	1369	0,291



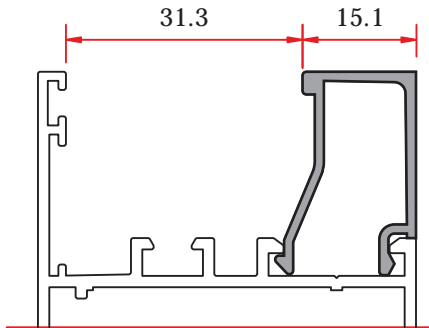
STRIP
Çıta

System Code	Profile No	Weight kg/mt
22 G 05	1370	0,319



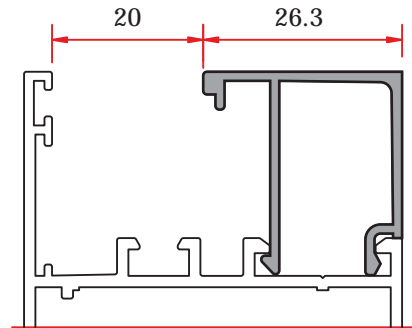
STRIP
Çıta

System Code	Profile No	Weight kg/mt
22 G 06	1371	0,333



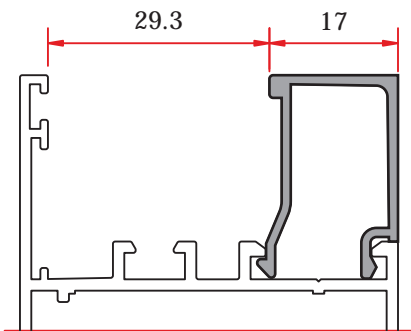
STRIP
Çıta

System Code	Profile No	Weight kg/mt
22 G 07	1611	0,253



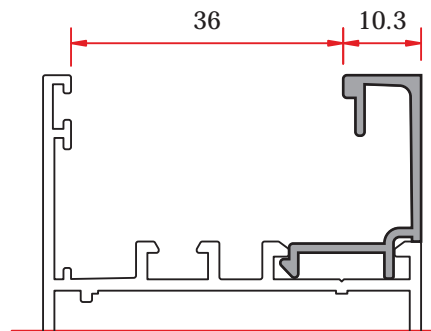
STRIP
Çıta

System Code	Profile No	Weight kg/mt
22 G 08	1612	0,300



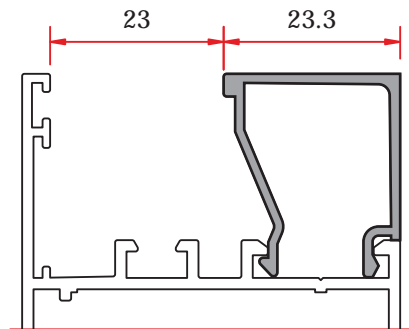
STRIP
Çıta

System Code	Profile No	Weight kg/mt
22 G 09	1613	0,260



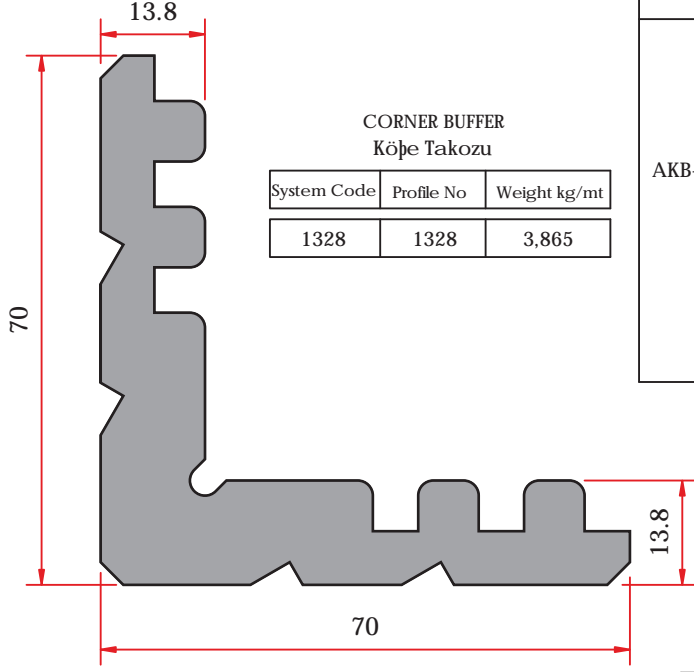
STRIP
Çıta

System Code	Profile No	Weight kg/mt
22 G 10	1378	0,222

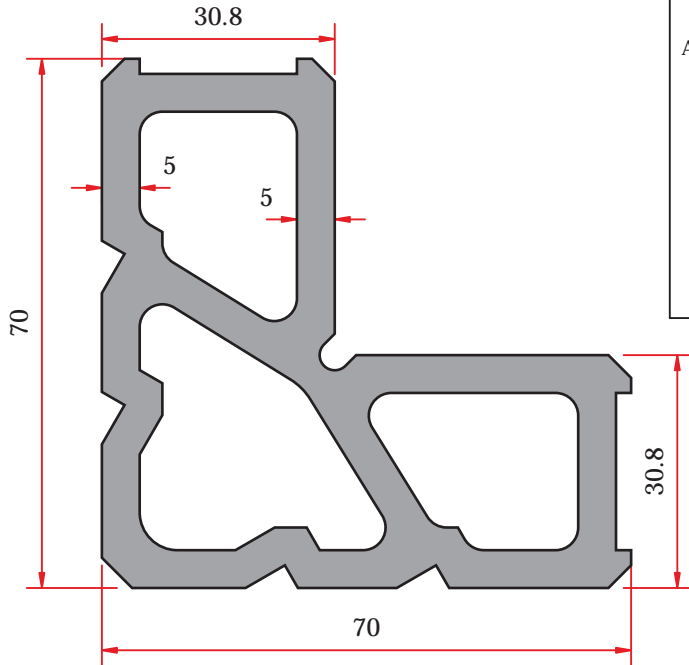


STRIP
Çıta

System Code	Profile No	Weight kg/mt
22 G 11	1616	0,291

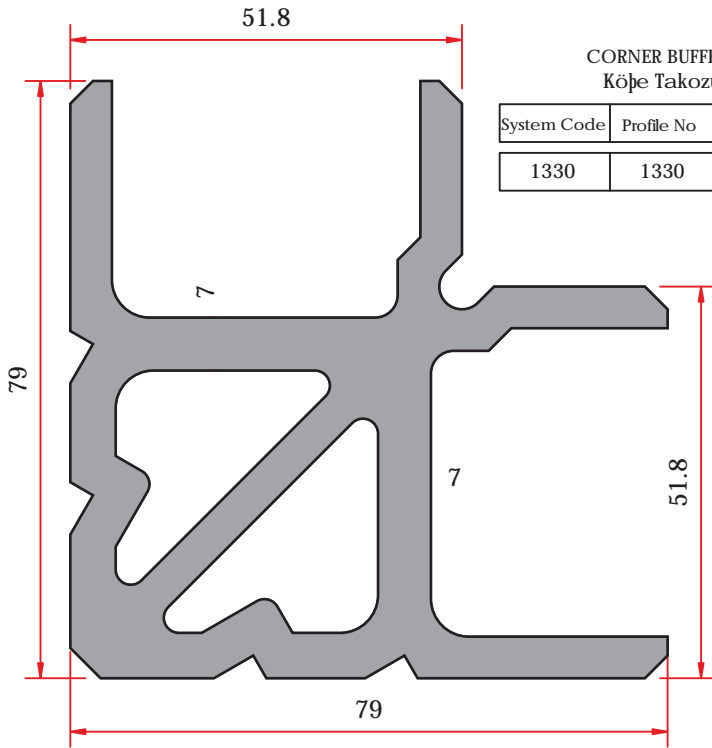


ACCESSORRY CODE	PROFILE CODE	CUTTING SIZE
AKSESUAR KODU	PROFİL KODU	KESİM ÖLÇÜSÜ (mm)
AKB-1328-41.2	AW50 M 1502 (1305)	41,2
	AW50 M 2002 (1703)	
	AW50 F 1502 (1302)	
	AW50 F 2002 (1701)	
	AW50 V 1504 (1309)	
	AW50 V 2004 (1706)	



ACCESSORRY CODE	PROFILE CODE	CUTTING SIZE
AKSESUAR KODU	KULLANILAN PROFİL	KESİM ÖLÇÜSÜ (mm)
AKB-1329-41.2	AW50 F 1501 (1301)	41,2
	AW50 F 1503 (1300)	
	AW50 M 1501 (1304)	
	AW50 V 1503 (1308)	
	AW50 F 2001 (1700)	
	AW50 F 2003 (1709)	
	AW50 M 2001 (1702)	
	AW50 V 2003 (1705)	

System Code	Profile No	Weight kg/mt
1329	1329	4,260

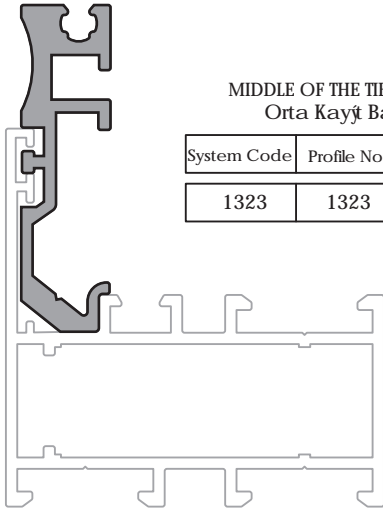


CORNER BUFFER
Köşe Takozu

System Code	Profile No	Weight kg/mt
1330	1330	5,543

ACCESSORRY CODE	PROFILE CODE	CUTTING SIZE
AKSESUAR KODU	KULLANILAN PROFİL	KESİM ÖLÇÜSÜ (mm)
AKB-1330-41.2	AW50 M 1503 (1303)	41,2
	AW50 V 1502 (1307)	
AKB-1330-39.2	AW50 V 1505 (1310)	38,4
	AW50 V 2005 (1707)	

ACCESSORRY CODE	PROFILE CODE	CUTTING SIZE
AKSESUAR KODU	PROFİL KODU	KESİM ÖLÇÜSÜ (mm)
AOB-1323-11.6	AW50 M 1502 (1305)	11,6
	AW50 M 2002 (1703)	
AOB-1323-28.6	AW50 M 1501 (1304)	28,6
	AW50 M 2001 (1702)	
AOB-1323-49.6	AW50 M 1503 (1303)	49,6
AOB-1323-80.4	AW50 M 1504 (1311)	80,4
AOB-1323-82.8	AW50 K 1501 (1312)	82,8
	AW50 K 2001 (1708)	

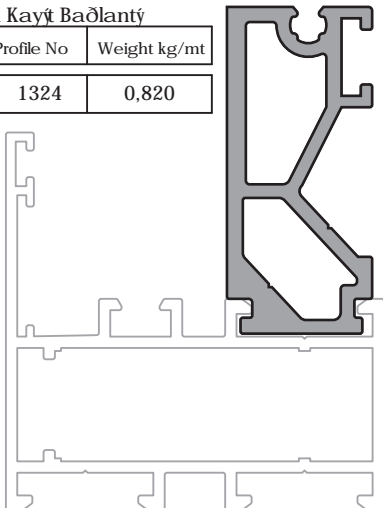


MIDDLE OF THE TIE APPARATE
Orta Kayıt Bađlantı

System Code	Profile No	Weight kg/mt
1323	1323	0,520

MIDDLE OF THE TIE APPARATE
Orta Kayıt Bađlantı

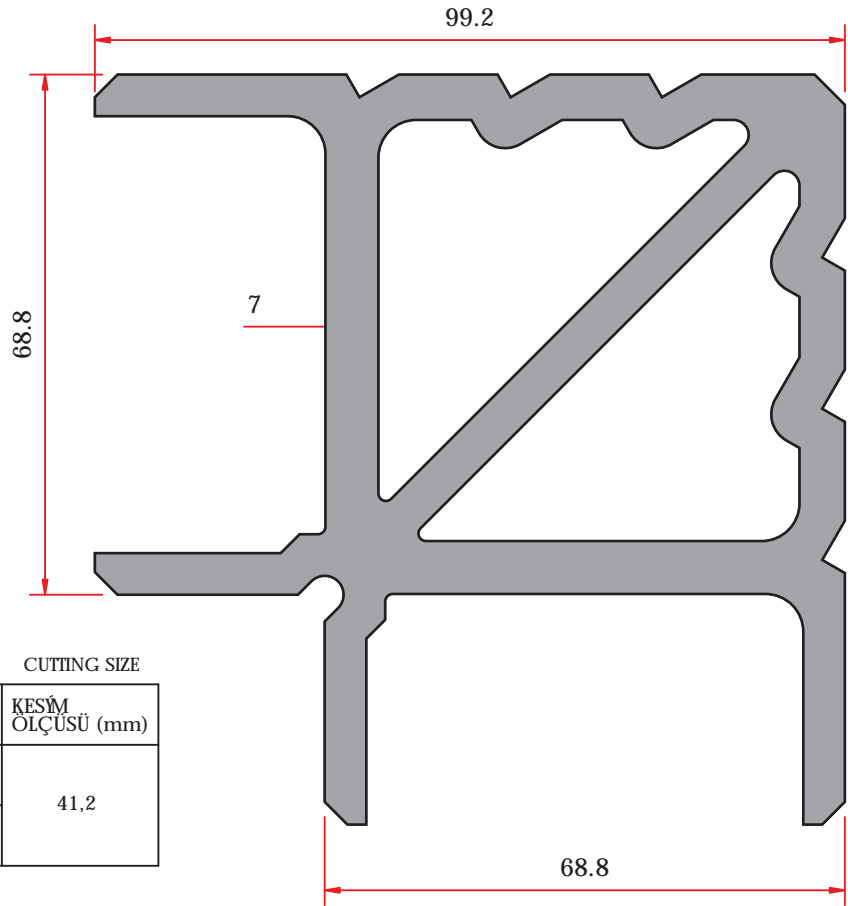
System Code	Profile No	Weight kg/mt
1324	1324	0,820



ACCESSORRY CODE	PROFILE CODE	CUTTING SIZE
AKSESUAR KODU	PROFİL KODU	KESİM ÖLÇÜSÜ (mm)
AOB-1324-13.6	AW50 M 1502 (1305)	13,6
	AW50 M 2002 (1703)	
AOB-1324-30.8	AW50 M 1501 (1304)	30,8
	AW50 M 2001 (1702)	
AOB-1324-51.8	AW50 M 1503 (1303)	51,8
AOB-1324-80.5	AW50 M 1504 (1311)	80,4
AOB-1324-82.8	AW50 K 1501 (1312)	82,8
	AW50 K 2001 (1708)	

CORNER BUFFER
Köşe Takozu

System Code	Profile No	Weight kg/mt
1327	1327	7,507



ACCESSORRY CODE PROFILE CODE CUTTING SIZE

AKSESUAR KODU	PROFİL KODU	KEŞİM ÖLÇÜSÜ (mm)
AKB-1327-41.2	AW50 V 1501 (1306)	41,2
	AW50 V 2001 (1704)	