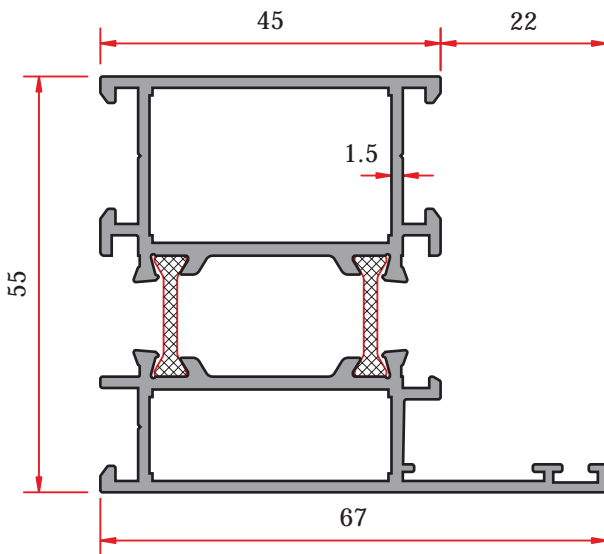


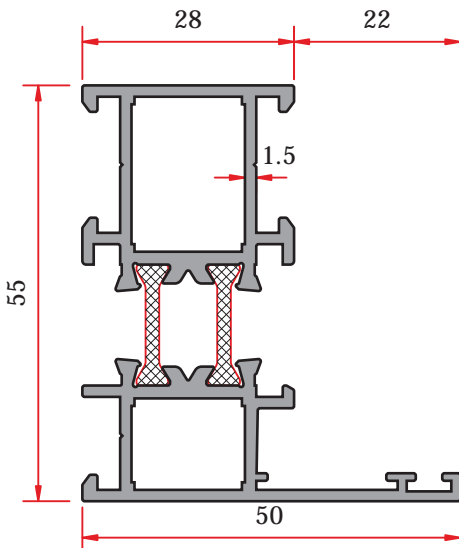
WIDE FRAME
Geniþ Kasa

System Code	Profile No	Weight kg/mt	Jxx cm ⁴	Jyy cm ⁴
AW55 TF 1501	1331-1332	1,870	22,39	41,77



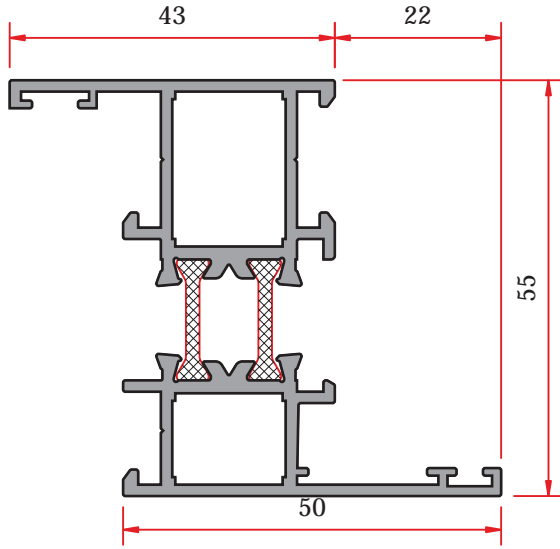
FRAME
Kasa

System Code	Profile No	Weight kg/mt	Jxx cm ⁴	Jyy cm ⁴
AW55 TF 1502	1333-1334	1,506	13,79	20,44



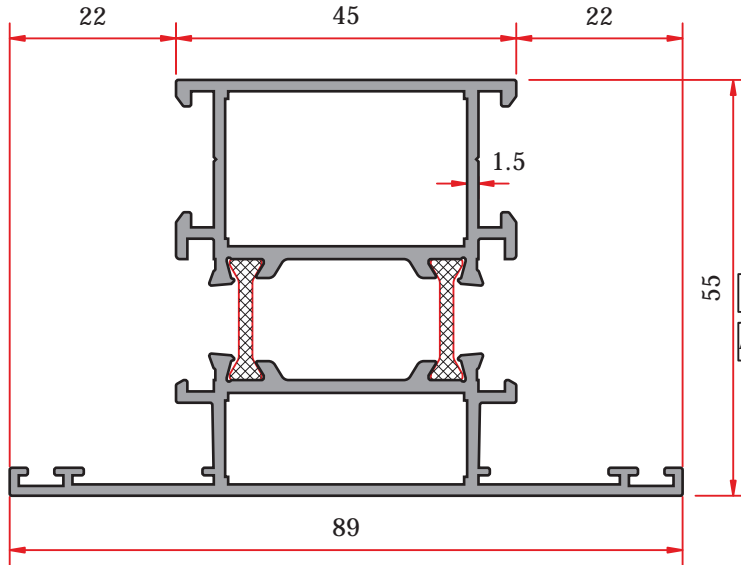
NARROW FRAME
Dar Kasa

System Code	Profile No	Weight kg/mt	Jxx cm ⁴	Jyy cm ⁴
AW55 TF 1503	1335-1336	1,209	14,56	4,78



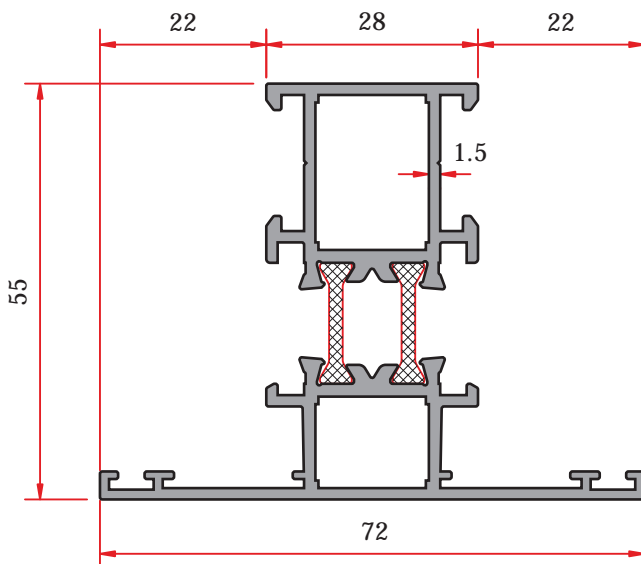
FRAME
Kasa

System Code	Profile No	Weight kg/mt	Jxx cm4	Jyy cm4
AW55 TF 1504	1335-1391	1,273	18.0	5.3



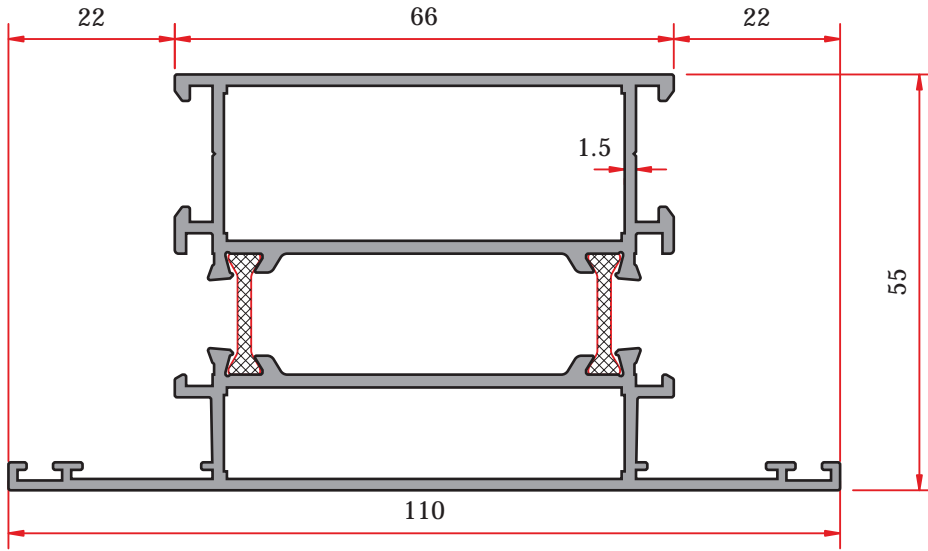
MIDDLE PARTITION
Orta Kayıt

System Code	Profile No	Weight kg/mt	Jxx cm4	Jyy cm4
AW55 TM 1501	1338-1334	1,619	21,78	20,16



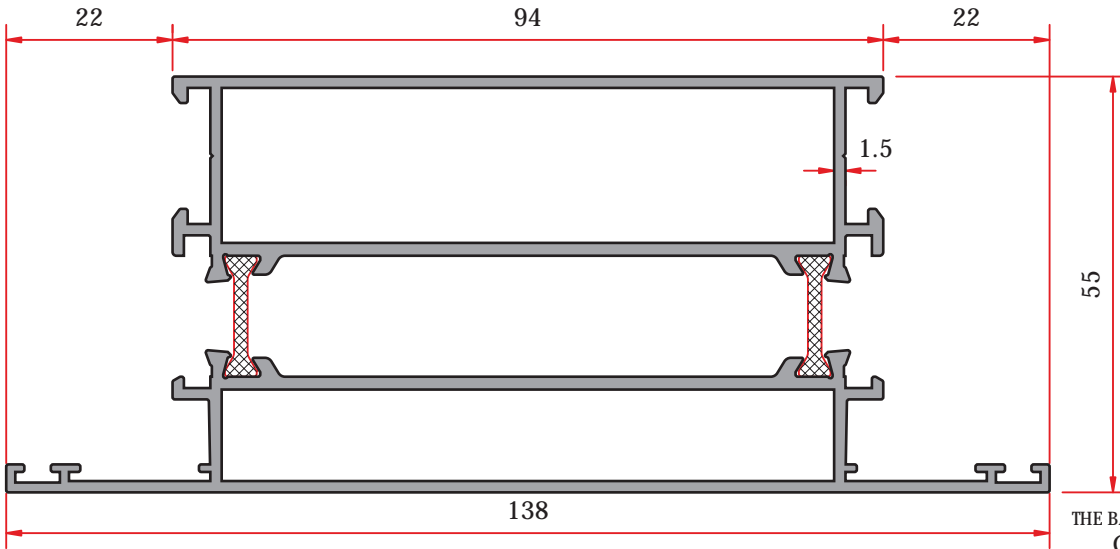
THE NARROW MIDDLE PARTITION
Dar Orta Kayıt

System Code	Profile No	Weight kg/mt	Jxx cm4	Jyy cm4
AW55 TM 1502	1339-1336	1,324	19,92	8,69



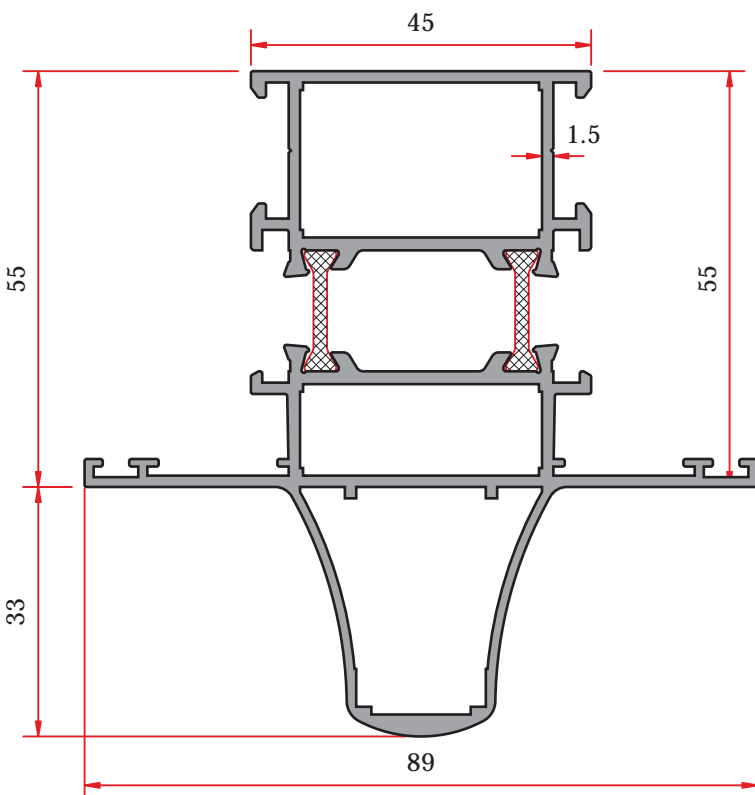
THE WIDE MID PARTITION
Geniř Orta Kayıt

System Code	Profile No	Weight kg/mt	Jxx cm ⁴	Jyy cm ⁴
AW55 TM 1503	1337-1332	1,984	25,39	50,12



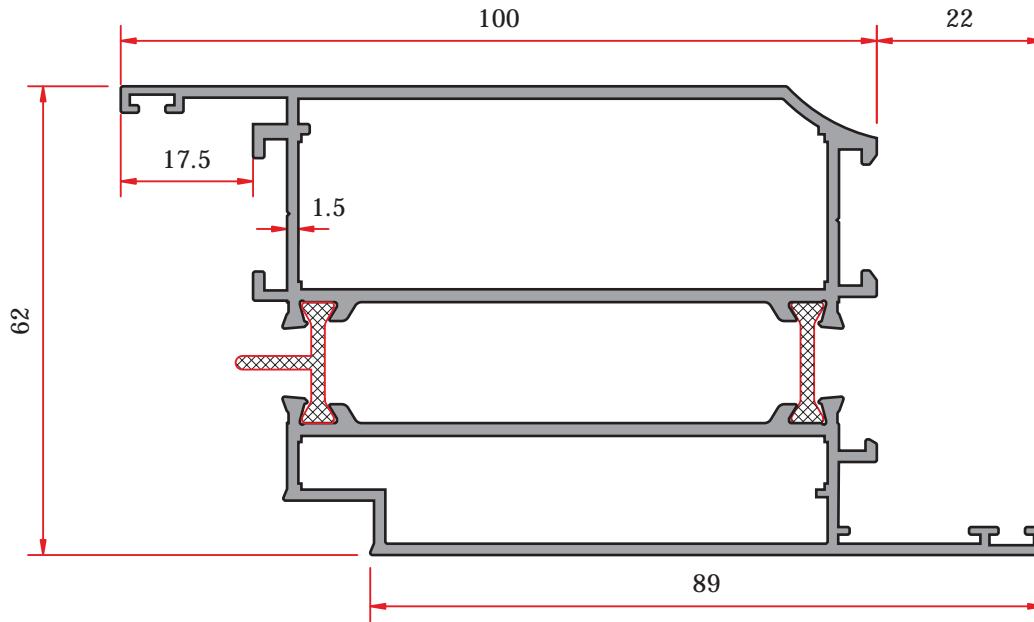
THE BASE MID PARTITION
Orta Baza

System Code	Profile No	Weight kg/mt	Jxx cm ⁴	Jyy cm ⁴
AW55 TM 1504	1350-1351	2,460	32,17	114,11



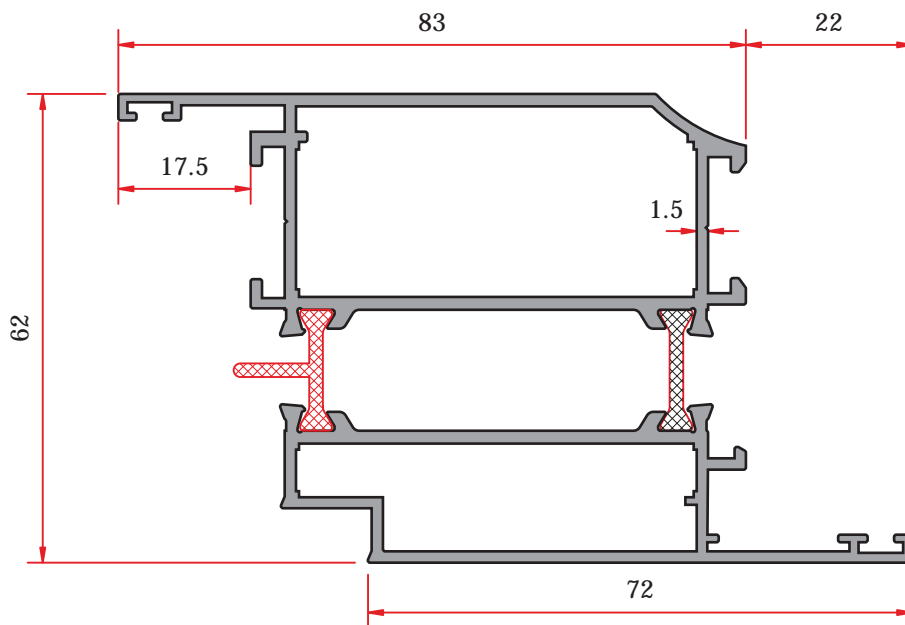
REINFORCEMENT MIDDLE PARTITION
Takviyeli Orta Kayıt

System Code	Profile No	Weight kg/mt	Jxx cm ⁴	Jyy cm ⁴
AW55 TM 1505	1373-1334	1,962	40,53	23,08



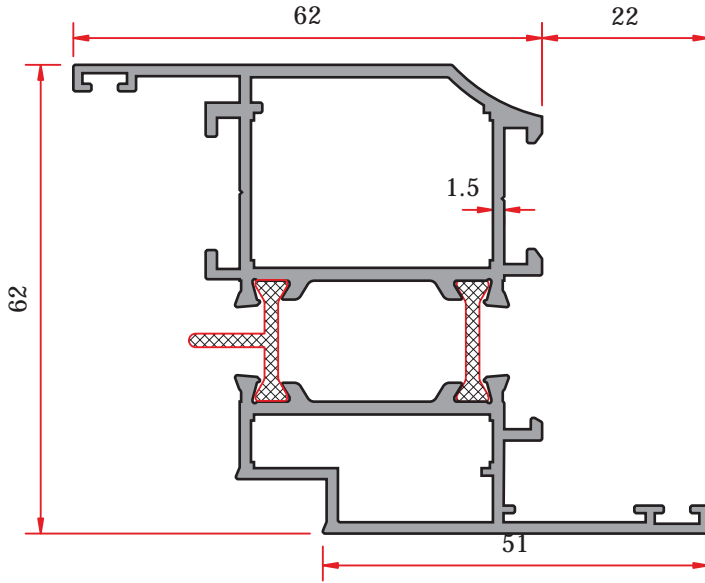
GATE WING PROFILE
Kapı Kanat Profili

System Code	Profile No	Weight kg/mt	Jxx cm ⁴	Jyy cm ⁴
AW55 TV 1501	1340-1341	2,305	33,46	87,98



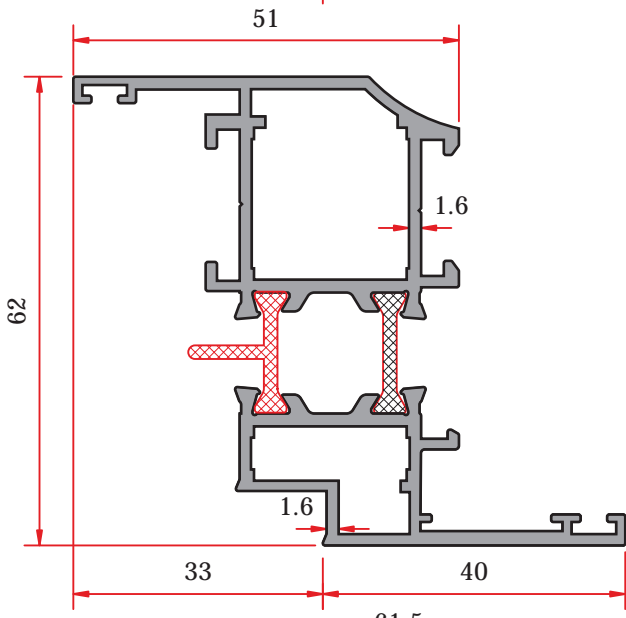
GATE WING PROFILE
Kapı Kanat Profili

System Code	Profile No	Weight kg/mt	Jxx cm ⁴	Jyy cm ⁴
AW55 TV 1502	1342-1343	1,991	54,75	25,78



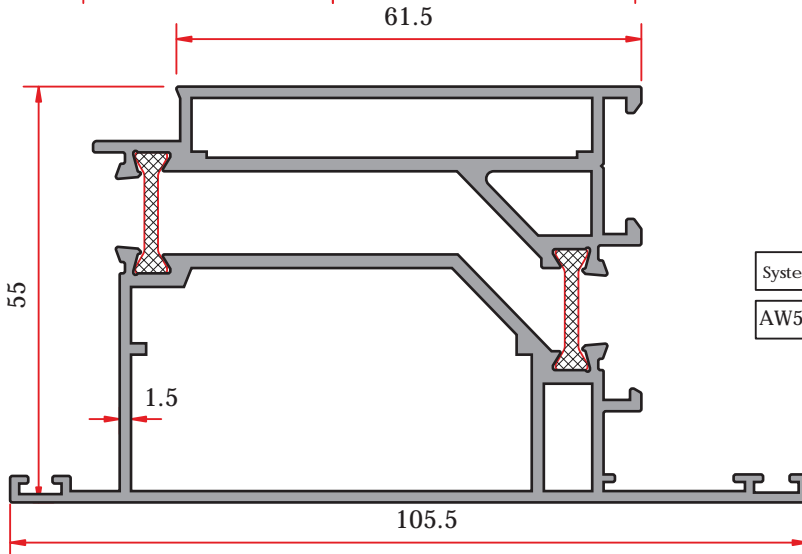
GATE WING PROFILE
Kapı Kanat Profili

System Code	Profile No	Weight kg/mt	Jxx cm ⁴	Jyy cm ⁴
AW55 TV 1503	1344-1345	1,633	13,31	31,99



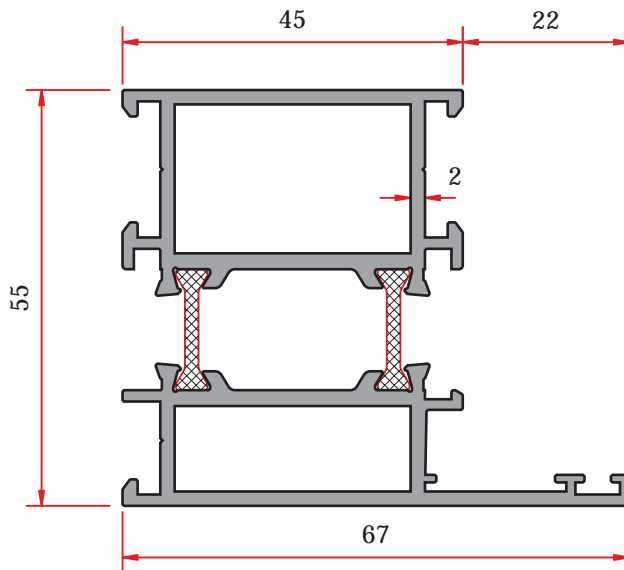
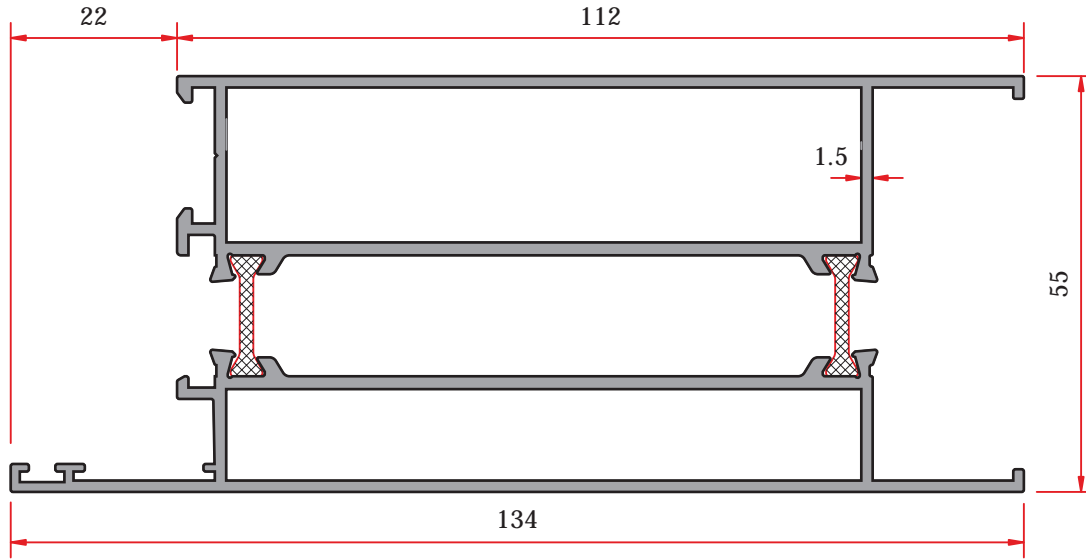
NARROW WING
Dar Kanat

System Code	Profile No	Weight kg/mt	Jxx cm ⁴	Jyy cm ⁴
AW55 TV 1504	1346-1347	1,457	27,37	7,39



THE OPEN OUT WING
Dış Açılır Kanat

System Code	Profile No	Weight kg/mt	Jxx cm ⁴	Jyy cm ⁴
AW55 TV 1505	1348-1349	2,180	62,45	32,53

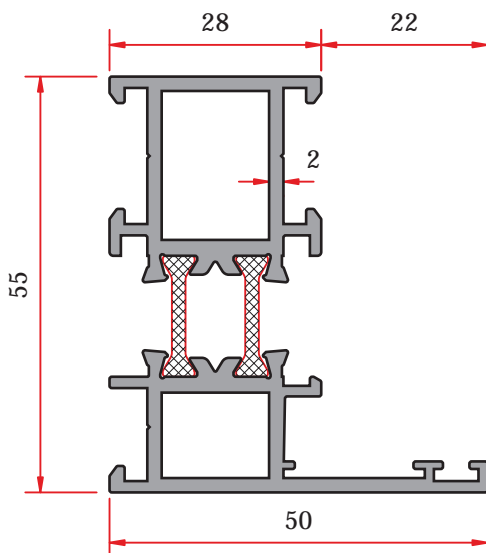


BOTTOM PROFILE
Etek Profili

System Code	Profile No	Weight kg/mt	Jxx cm4	Jyy cm4
AW55 TK 1501	1352-1353	2,454	119,86	33,30

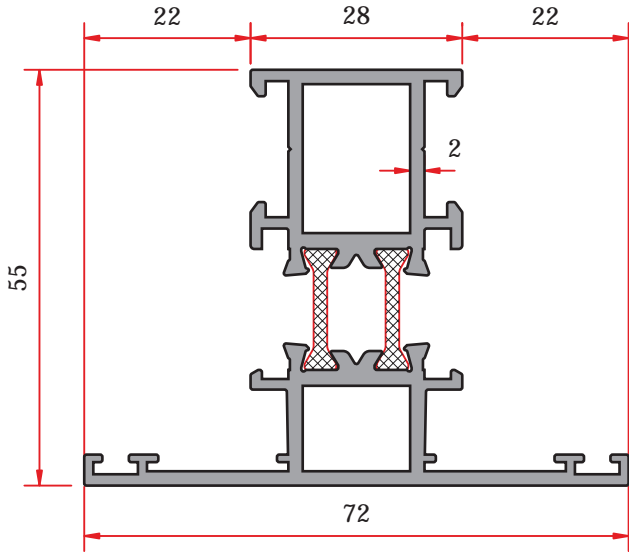
FRAME
Kasa

System Code	Profile No	Weight kg/mt	Jxx cm4	Jyy cm4
AW55 TF 2002	1710-1711	1,727	23,36	14,43



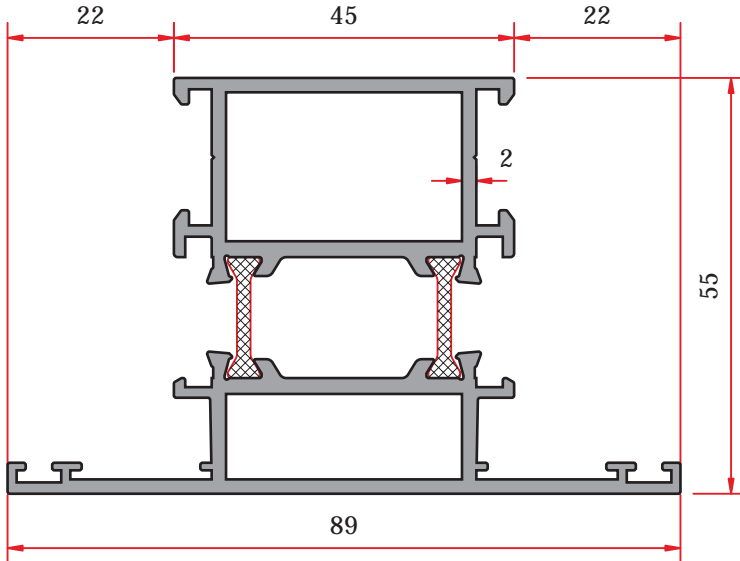
NARROW FRAME
Dar Kasa

System Code	Profile No	Weight kg/mt	Jxx cm4	Jyy cm4
AW55 TF 2003	1712-1713	1,350	16,75	4,96



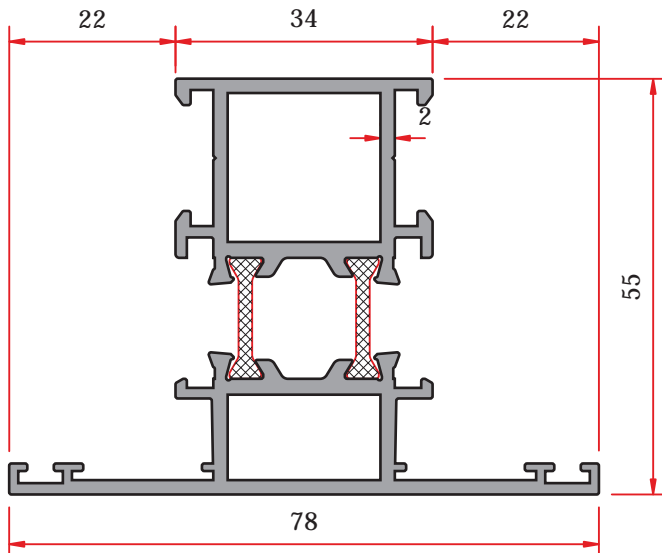
THE NARROW MIDDLE PARTITION
Dar Orta Kayıt

System Code	Profile No	Weight kg/mt	Jxx cm4	Jyy cm4
AW55 TM 2002	1715-1713	1,495	9,52	1,84



MIDDLE PARTITION
Orta Kayıt

System Code	Profile No	Weight kg/mt	Jxx cm4	Jyy cm4
AW55 TM 2001	1714-1711	1,965	23,73	23,38



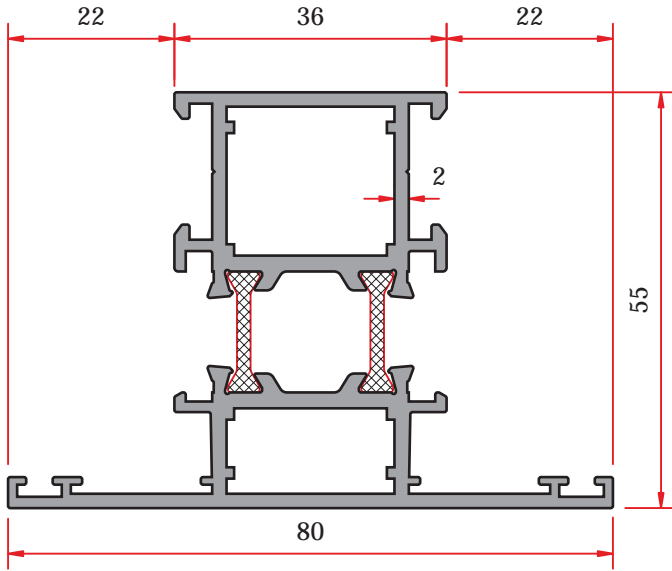
MIDDLE PARTITION
Orta Kayıt

System Code	Profile No	Weight kg/mt	Jxx cm4	Jyy cm4
AW55 TM 2006	1726-1727	1,626	20,27	13,35

AW55 » ALCAS WINDOW 55

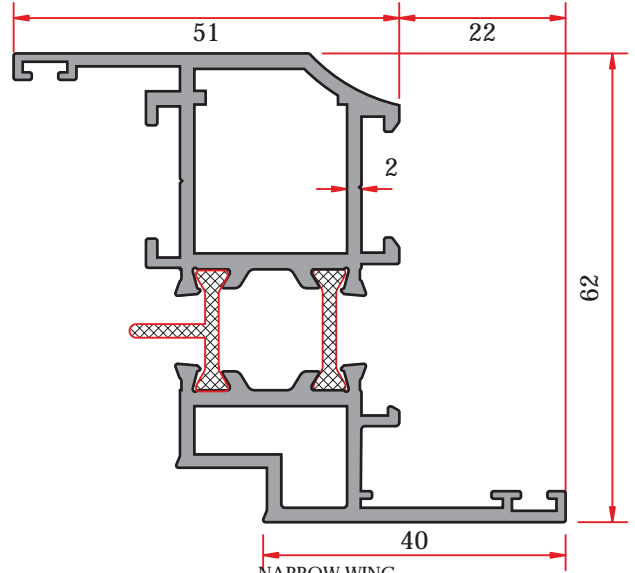
ALCAS®

ALUMINIUM PROFILE SYSTEMS



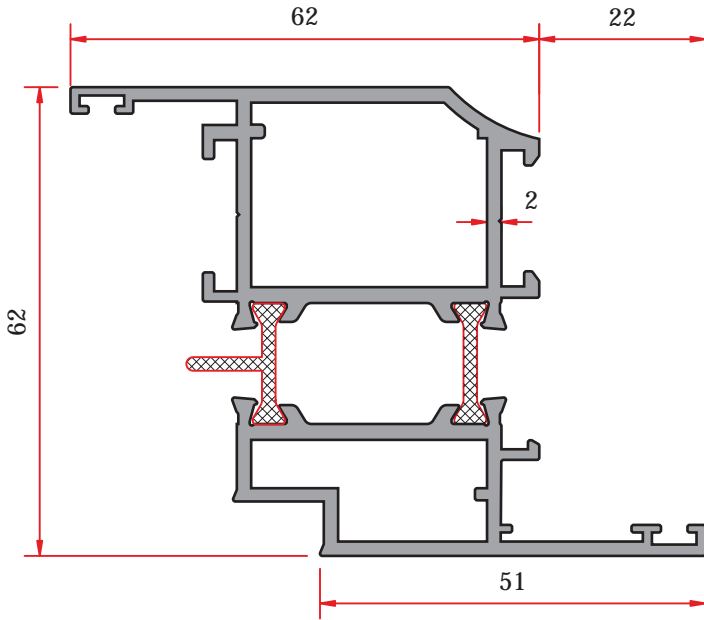
MIDDLE PARTITION
Orta Kayıt

System Code	Profile No	Weight kg/mt	Jxx cm4	Jyy cm4
AW55 TM 2007	1733-1734	1,700	21,4	15,6



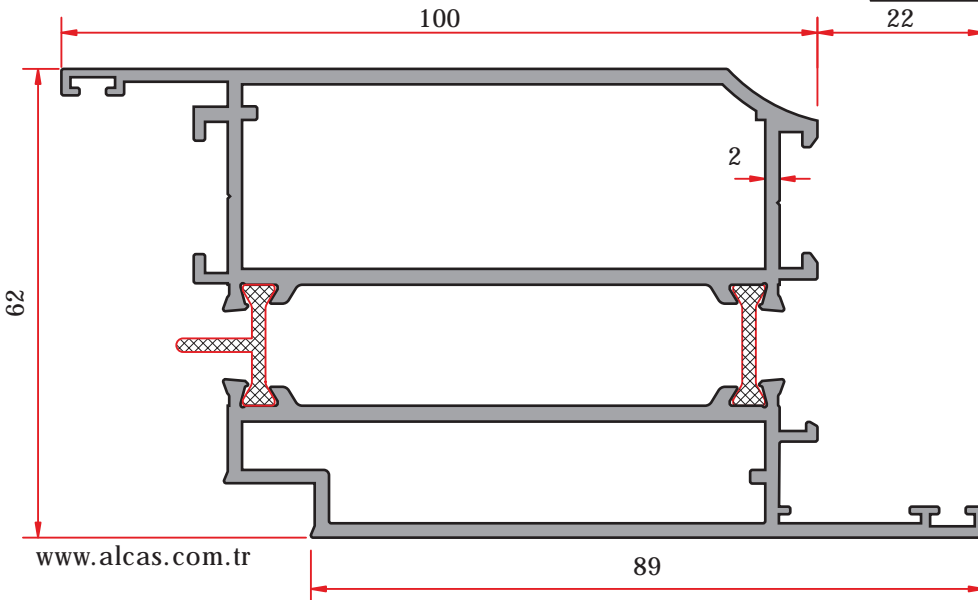
NARROW WING
Dar Kanat

System Code	Profile No	Weight kg/mt	Jxx cm4	Jyy cm4
AW55 TV 2004	1720-1721	1,605	29,26	7,97



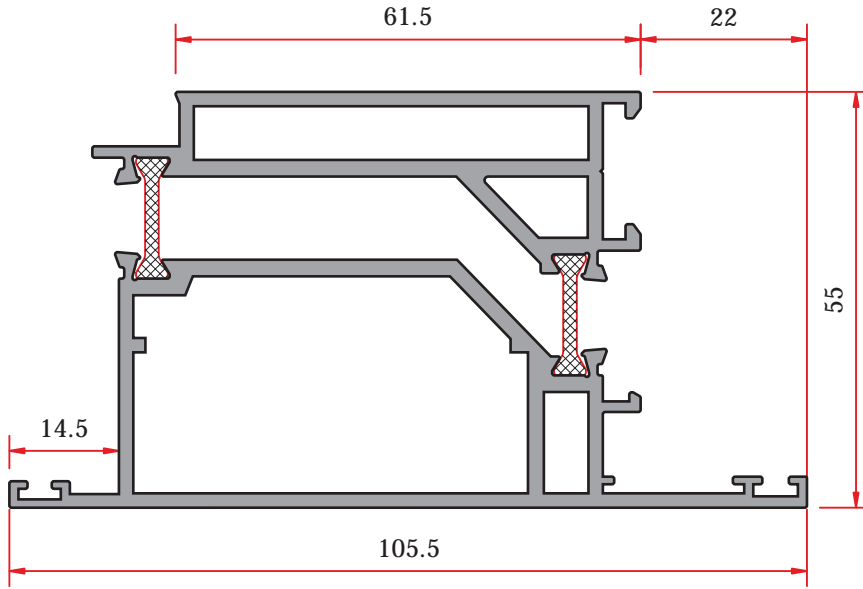
GATE WING PROFILE
Kapı Kanat Profili

System Code	Profile No	Weight kg/mt	Jxx cm4	Jyy cm4
AW55 TV 2003	1718-1719	1,879	36,56	13,66



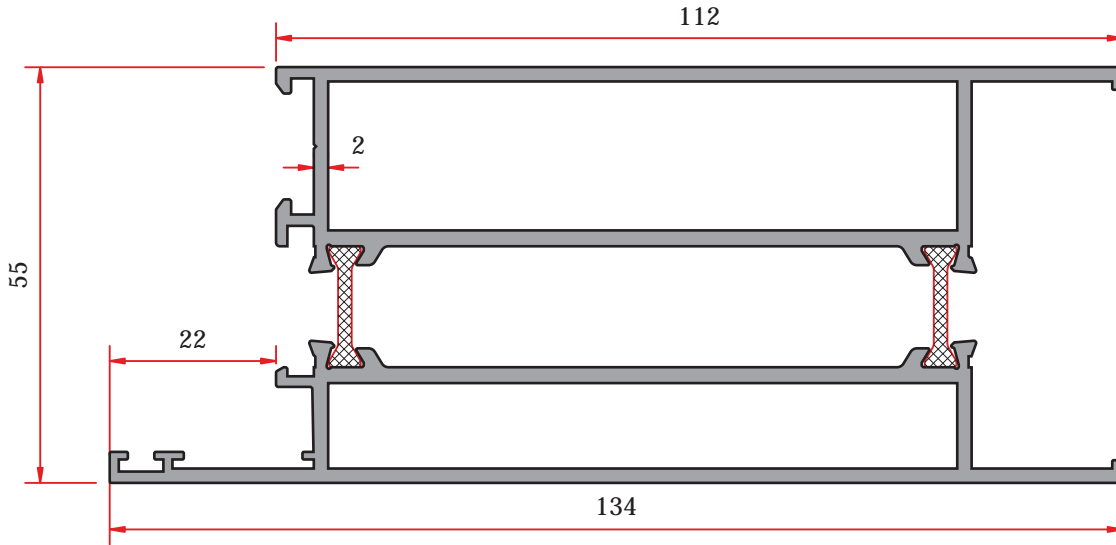
GATE WING PROFILE
Kapı Kanat Profili

System Code	Profile No	Weight kg/mt	Jxx cm4	Jyy cm4
AW55 TV 2001	1716-1717	2,717	93,68	39,08



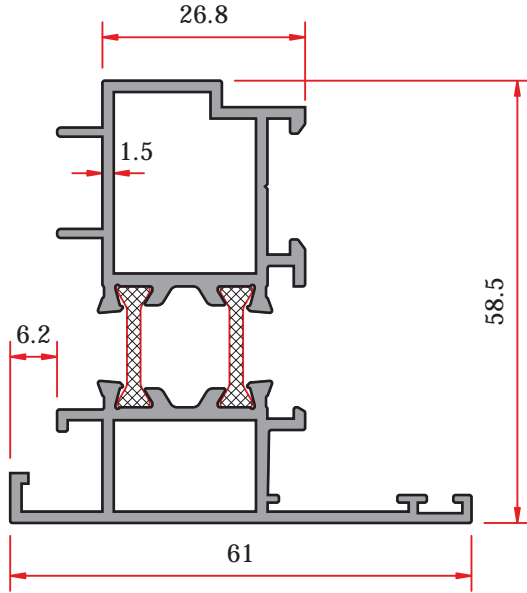
THE OPEN OUT DOOR
Dışa Açılır Kapı

System Code	Profile No	Weight kg/mt	Jxx cm ⁴	Jyy cm ⁴
AW55 TV 2005	1722-1723	2,552	65,33	32,3



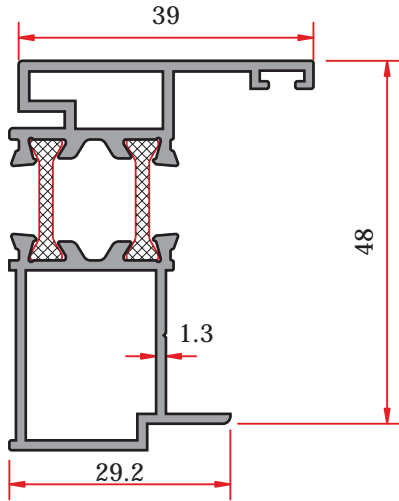
BOTTOM PROFILE
Etek Profili

System Code	Profile No	Weight kg/mt	Jxx cm ⁴	Jyy cm ⁴
AW55 TK 2001	1724-1725	2,948	132,42	40,49



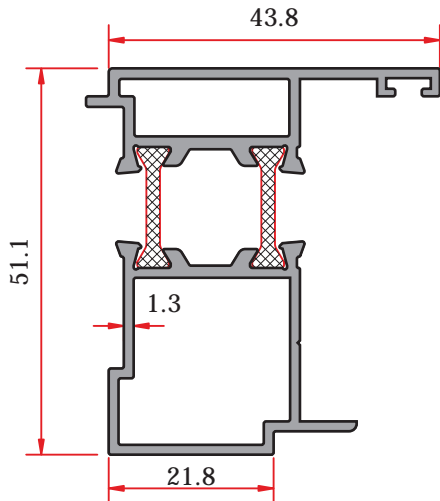
DOUBLE SIDE WING ADAPTOR
Çift Kanat Adaptörü

System Code	Profile No	Weight kg/mt
AW55 TA 01	1362-1363	1,344



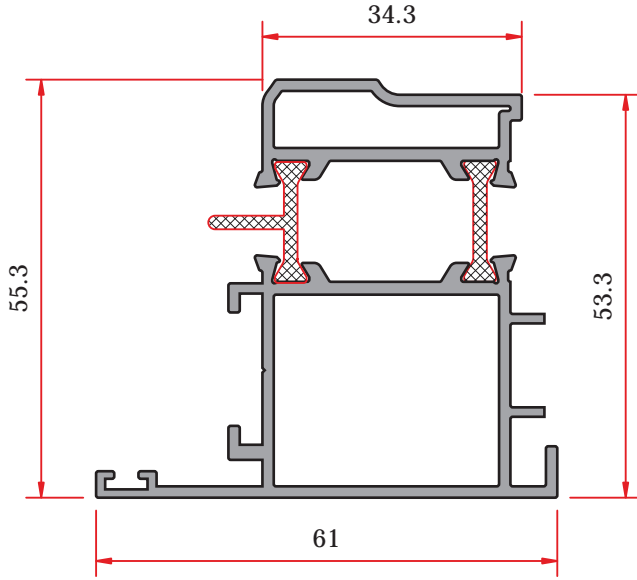
THE OPEN OUT DOUBLE SIDE WING ADAPTOR
Dışa Açılır Çift Kanat Adaptörü

System Code	Profile No	Weight kg/mt
AW55 TA 02	1364-1365	0,941



THE OPEN OUT ADAPTOR
Dışa Açılır Adaptör

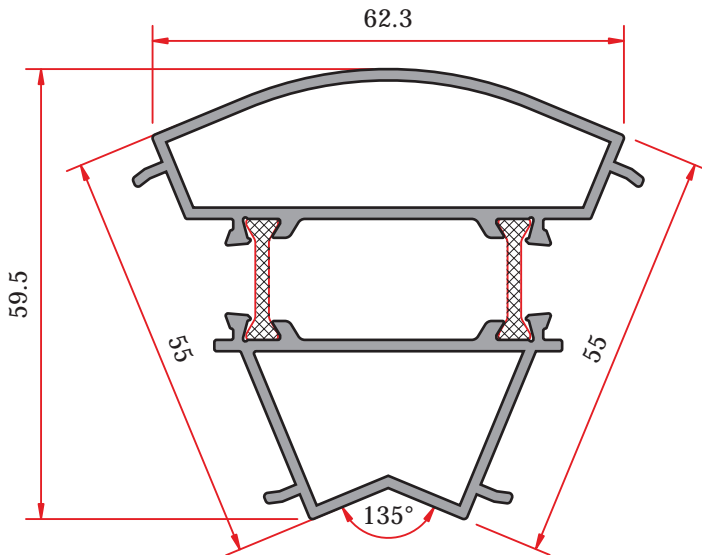
System Code	Profile No	Weight kg/mt
AW55 TA 03	1384-1385	0,989



PIVOT ADAPTOR
Pivot Adaptörü

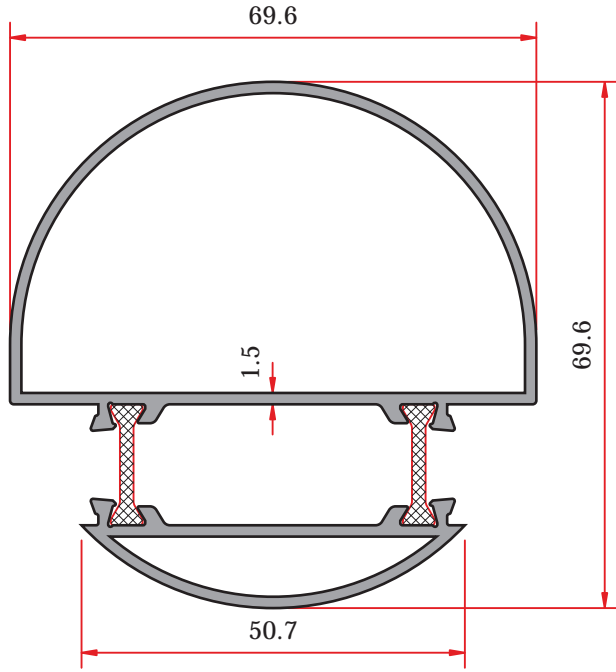
System Code	Profile No	Weight kg/mt
AW55 TA 04	1386-1387	1,368

50



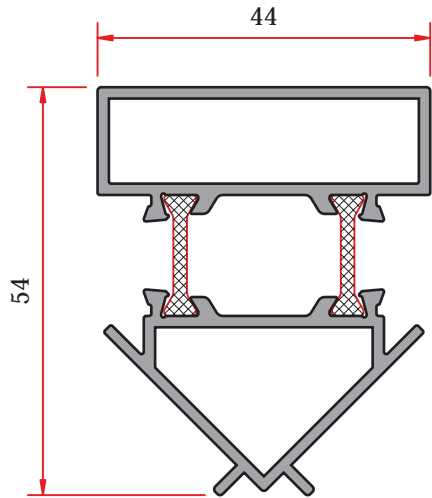
135 ° CORNER TURNING
135° Köşe Dönüş Profili

System Code	Profile No	Weight kg/mt	Jxx cm4	Jyy cm4
AW55 TC 01	1356-1357	1,359	15,5	14,6



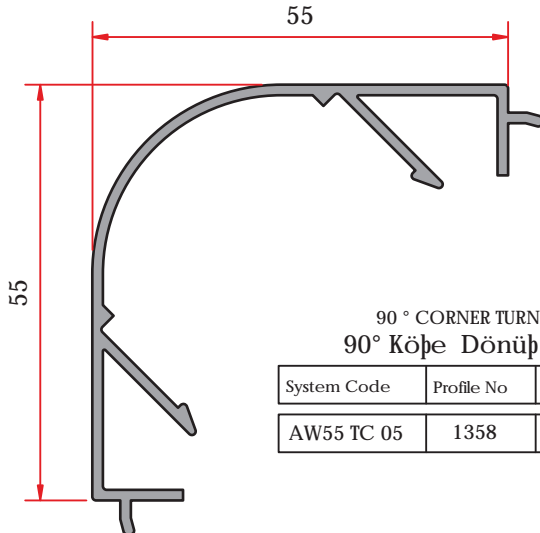
ROUND CORNER TURNING
Köşe Dönüş Profili

System Code	Profile No	Weight kg/mt	Jxx cm ⁴	Jyy cm ⁴
AW55 TC 03	1360-1361	1,443	23,7	22,9



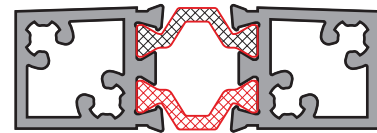
90 ° CORNER TURNING
90° Köşe Dönüş Profili

System Code	Profile No	Weight kg/mt	Jxx cm ⁴	Jyy cm ⁴
AW55 TC 04	1354-1355	1,154	10,15	7,44



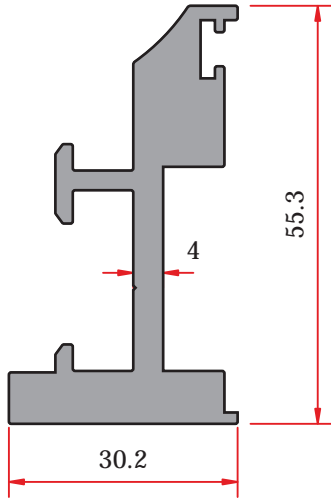
90 ° CORNER TURNING
90° Köşe Dönüş Profili

System Code	Profile No	Weight kg/mt
AW55 TC 05	1358	0,635



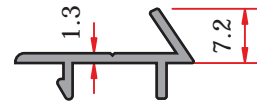
INSULATING STRESHOLD PROFILE
Yalıtımlı Eşik Profili

System Code	Profile No	Weight kg/mt
AW55 A 01	1394	0,504



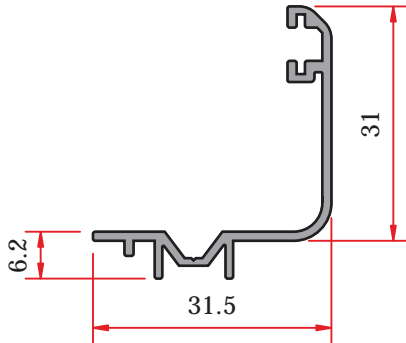
PIVOT HINGE
Pivot Mentefe

System Code	Profile No	Weight kg/mt
AW55 H 01	1382	1,534



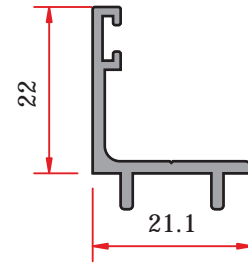
ADDITION EAR
Yave Kulak

System Code	Profile No	Weight kg/mt
AS50 A 01	1318	0,139



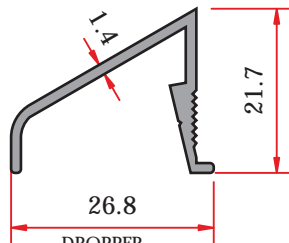
BORDER PROFILE
Pervaz Profili

System Code	Profile No	Weight kg/mt
AS50 A 06	1428	0,278



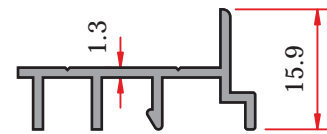
ADDITION EAR
Yave Kulak

System Code	Profile No	Weight kg/mt
AWD60 A 05	1610	0,237



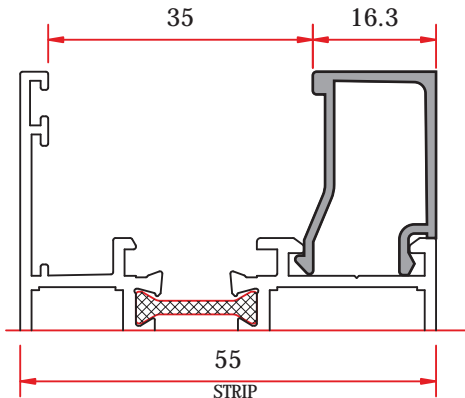
DROPPER
Damlak

System Code	Profile No	Weight kg/mt
AW50 A 09	1321	0,227



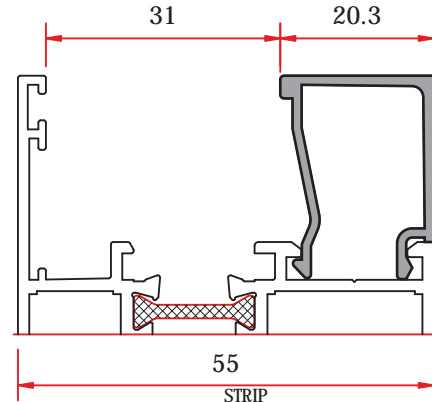
THE OPEN OUT FIXED ADAPTOR
Dya Açık Sabit Adaptör

System Code	Profile No	Weight kg/mt
AW50 A 08	1317	0,234



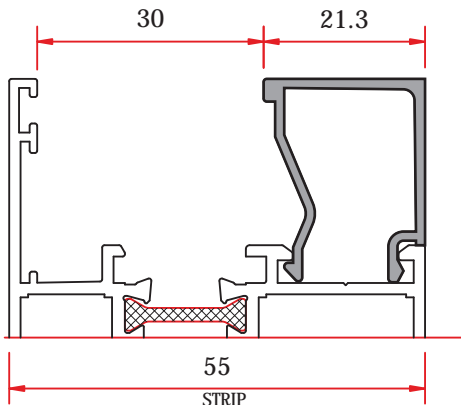
STRIP
Çıta

System Code	Profile No	Weight kg/mt
22 G 01	1367	0,257



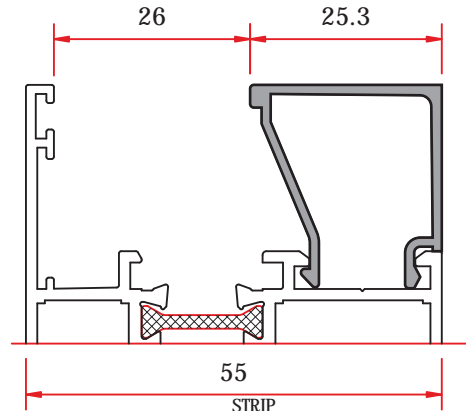
STRIP
Çıta

System Code	Profile No	Weight kg/mt
22 G 02	1366	0,270



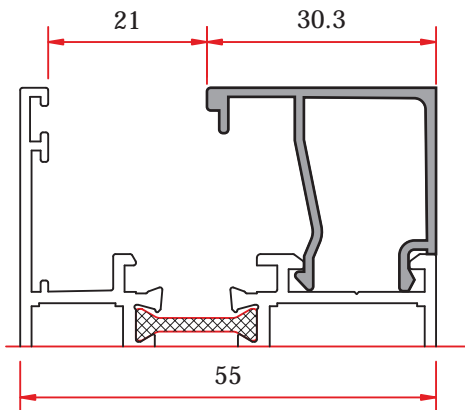
STRIP
Çıta

System Code	Profile No	Weight kg/mt
22 G 03	1368	0,277



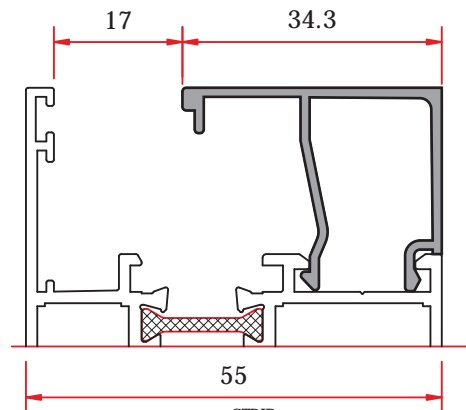
STRIP
Çıta

System Code	Profile No	Weight kg/mt
22 G 04	1369	0,291



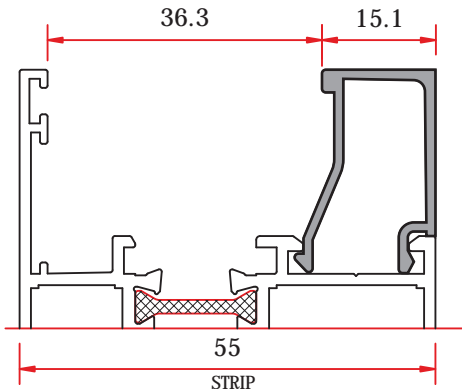
STRIP
Çıta

System Code	Profile No	Weight kg/mt
22 G 05	1370	0,319

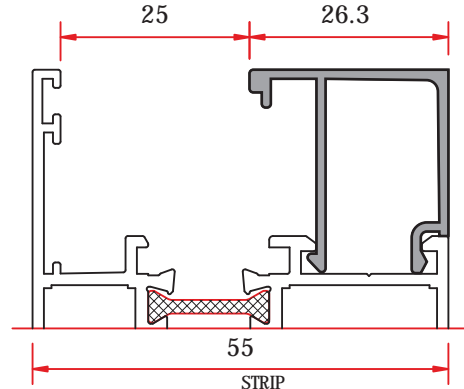


STRIP
Çıta

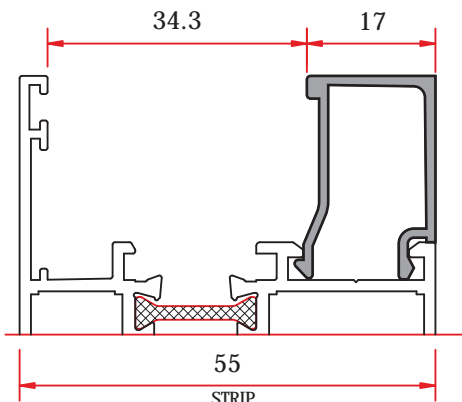
System Code	Profile No	Weight kg/mt
22 G 06	1371	0,333



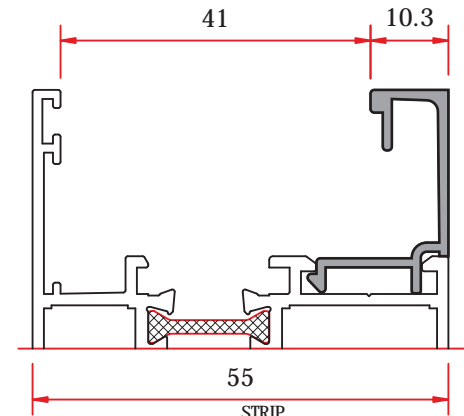
System Code	Profile No	Weight kg/mt
22 G 07	1611	0,253



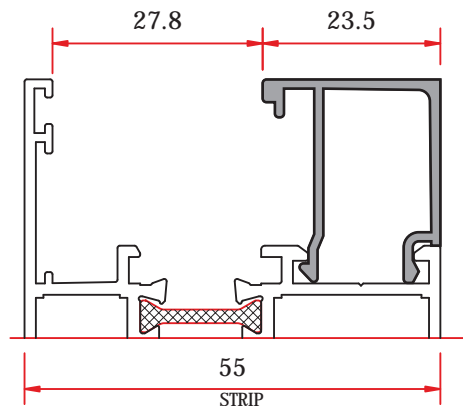
System Code	Profile No	Weight kg/mt
22 G 08	1612	0,300



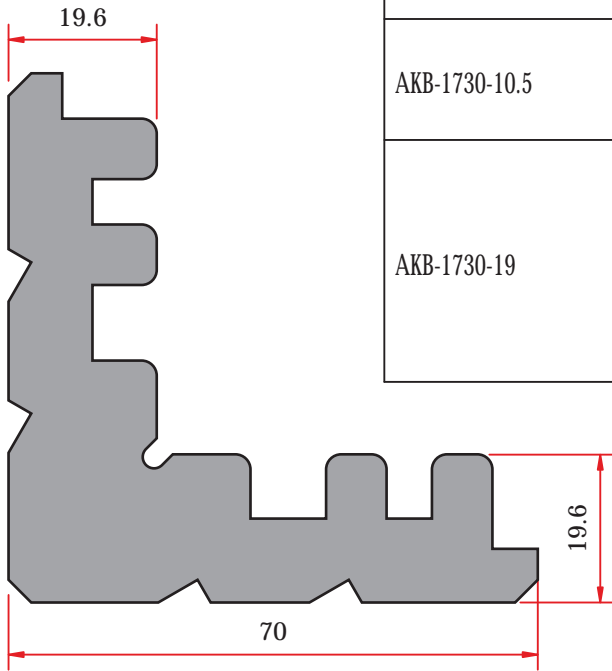
System Code	Profile No	Weight kg/mt
22 G 09	1613	0,260



System Code	Profile No	Weight kg/mt
22 G 10	1378	0,222



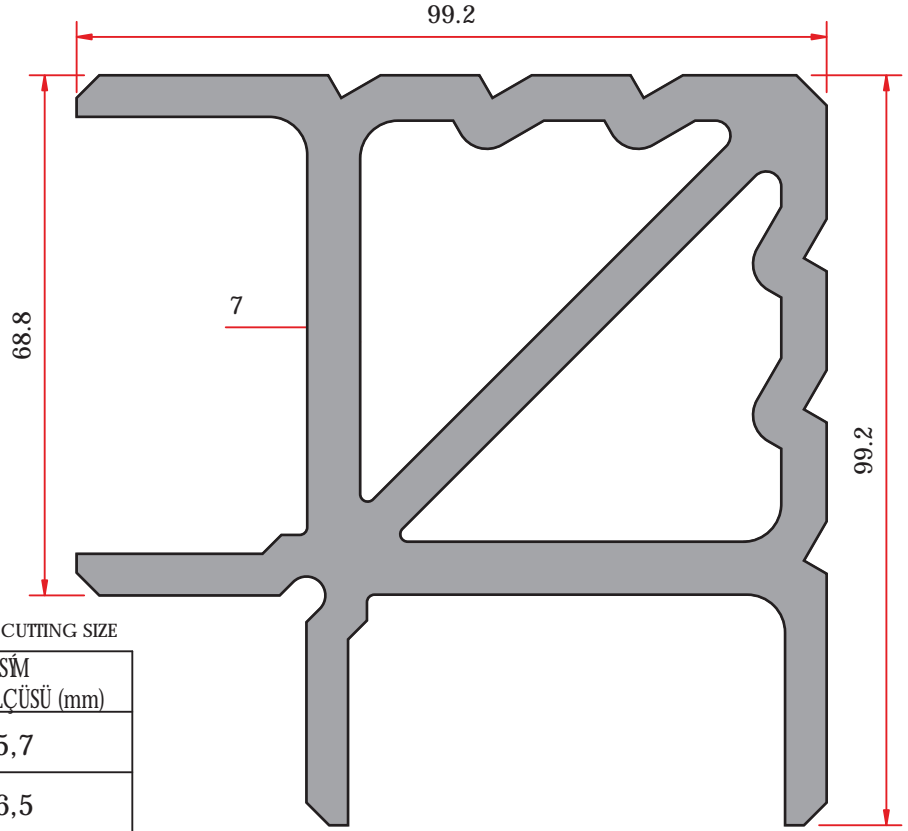
System Code	Profile No	Weight kg/mt
22 G 11	1616	0,291



ACCESSORRY CODE	PROFILE CODE	CUTTING SIZE
AKSESUAR KODU	PROFİL KODU	KESİM ÖLÇÜSÜ (mm)
AKB-1730-5.8	AW55 TV 2004 (1720)	5,8
AKB-1730-6.6	AW55 TV 1504 (1346)	6,6
AKB-1730-10.5	AW55 TM 2006 (1726)	10,5
	AW55 TM 2007 (1733)	
AKB-1730-19	AW55 TM 2006 (1727)	19
	AW55 TM 2007 (1734)	
	AW55 TV 1504 (1347)	
	AW55 TV 2004 (1721)	

CORNER BUFFER
Köşe Takozu

System Code	Profile No	Weight kg/mt
1730	1730	5,059



CORNER BUFFER
Köşe Takozu

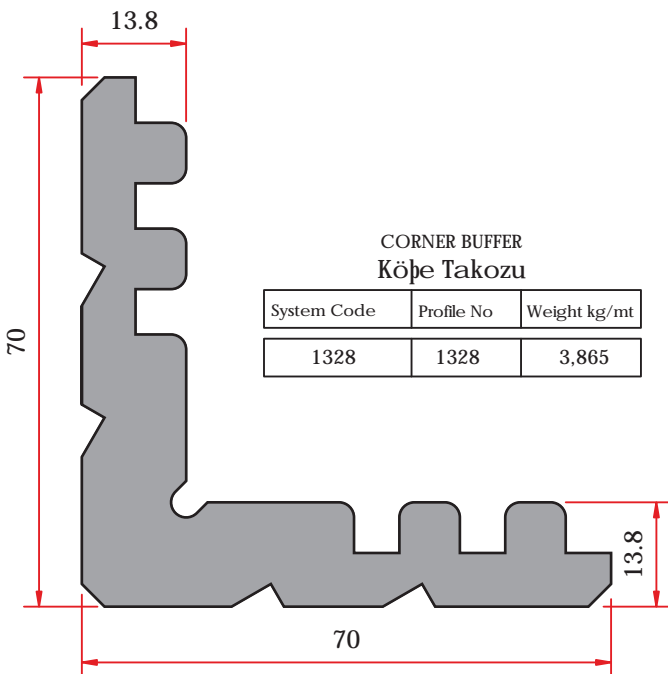
System Code	Profile No	Weight kg/mt
1327	1327	7,507

ACCESSORRY CODE PROFILE CODE CUTTING SIZE

AKSESUAR KODU	PROFİL KODU	KESİM ÖLÇÜSÜ (mm)
AKB-1327-5.7	AW55 TV 2001 (1716)	5,7
AKB-1327-6.5	AW55 TV 1501 (1340)	6,5
AKB-1327-19	AW55 TV 2001 (1717)	19
AKB-1327-19.8	AW55 TV 1501 (1341)	19,8

ACCESSORRY CODE PROFILE CODE CUTTING SIZE

AKSESUAR KODU	PROFİL KODU	KESİM ÖLÇÜSÜ (mm)
AKB-1328-10.5	AW55 TF 2003 (1712)	10,5
AKB-1328-10.5	AW55 TM 2002 (1715)	
AKB-1328-11.3	AW55 TM 2002 (1339)	11,3
AKB-1328-11.3	AW55 TF 1504 (1335)	
AKB-1328-11.3	AW55 TF 1503 (1335)	
AKB-1328-19	AW55 TF 2003 (1713)	19
AKB-1328-19	AW55 TM 2002 (1713)	
AKB-1328-19.8	AW55 TF 1503 (1336)	19,8
AKB-1328-19.8	AW55 TM 1502 (1336)	
AKB-1328-19.8	AW55 TF 1504 (1391)	

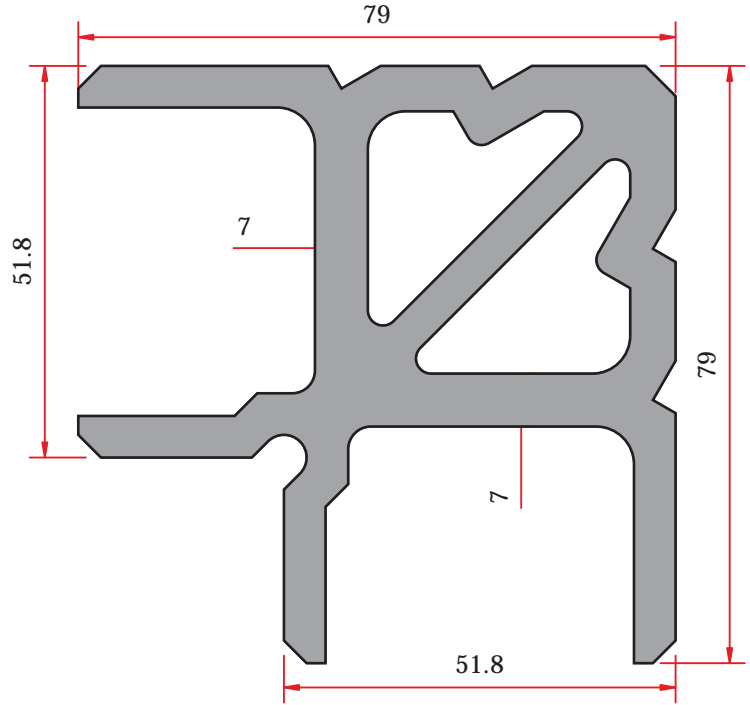


CORNER BUFFER
Köşe Takozu

System Code	Profile No	Weight kg/mt
1328	1328	3,865

ACCESSORRY CODE PROFILE CODE CUTTING SIZE

AKSESUAR KODU	PROFİL KODU	KESİM ÖLÇÜSÜ (mm)
AKB-1330-6.3	AW55 TV 2005 (1723)	6,3
	AW55 TV 1505 (1349)	
	AW55 TV 1502 (1342)	
AKB-1330-11.5	AW55 TM 1503 (1337)	11,5
	AW55 TF 1501 (1331)	
AKB-1330-17.6	AW55 TV 1505 (1348)	17,6
	AW55 TV 2005 (1722)	
AKB-1330-19.8	AW55 TF 1501 (1332)	19,8
	AW55 TM 1503 (1332)	
	AW55 TV 1502 (1343)	

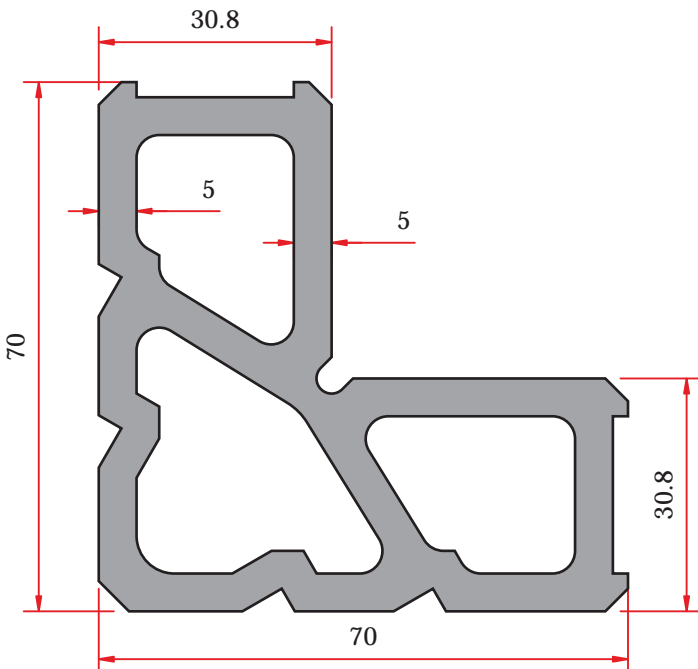


CORNER BUFFER
Köpe Takoğu

System Code	Profile No	Weight kg/mt
1330	1330	5,543

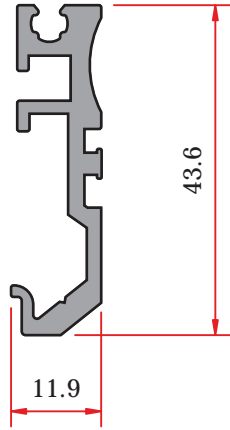
CORNER BUFFER
Köpe Takoğu

System Code	Profile No	Weight kg/mt
1329	1329	4,260



ACCESSORRY CODE PROFILE CODE CUTTING SIZE

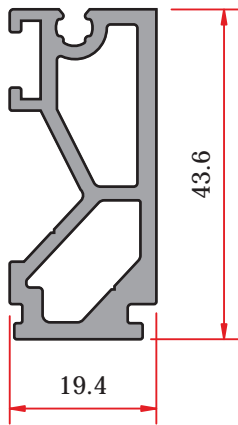
AKSESUAR KODU	PROFİL KODU	KESİM ÖLÇÜSÜ (mm)
AKB-1329-5.5	AW55 TV 2003 (1718)	5,5
AKB-1329-6.3	AW55 TV 1503 (1344)	6,3
AKB-1329-10.5	AW55 TF 2002 (1710)	10,5
	AW55 TM 2001 (1714)	
AKB-1329-11.5	AW55 TM 1501 (1338)	11,5
	AW55 TF 1502 (1333)	
AKB-1329-19	AW55 TF 2002 (1711)	19
	AW55 TM 2001 (1714)	
	AW55 TV 2003 (1719)	
AKB-1329-19.8	AW55 TV 1503 (1345)	19,8
	AW55 TF 1502 (1334)	
	AW55 TM 1501 (1334)	



MIDDLE OF THE TIE APPARATE
Orta Kayıt Bağlantı

System Code	Profile No	Weight kg/mt
1323	1323	0,539

ACCESSORRY CODE	PROFILE CODE	CUTTING SIZE
AKSESUAR KODU	PROFİL KODU	KESİM ÖLÇÜSÜ (mm)
AOB-1323-13.8	AW55 TM 1502 (1339)	13,8
	AW55 TM 2002 (1715)	
AOB-1323-19.8	AW55 TM 2006 (1726)	19,8
	AW55 TM 2007 (1733)	
AOB-1323-30.8	AW55 TM 1501 (1338)	30,8
	AW55 TM 1505 (1373)	
	AW55 TM 1506 (1390)	
	AW55 TM 2001 (1714)	
AOB-1323-51.8	AW55 TM 0153 (1337)	51,8
AOB-1323-80.4	AW55 TM 1504 (1350)	80,4
AOB-1323-82.8	AW55 TK 1501 (1352)	82,8
	AW55 TK 2001 (1724)	



MIDDLE OF THE TIE APPARATE
Orta Kayıt Bağlantı

System Code	Profile No	Weight kg/mt
1324	1324	0,860

ACCESSORRY CODE	PROFILE CODE	CUTTING SIZE
AKSESUAR KODU	PROFİL KODU	KESİM ÖLÇÜSÜ (mm)
AOB-1324-13.8	AW55 TM 1502 (1336)	13,8
	AW 55 TM 04 (1713)	
AOB-1324-19.8	AW 55 TM 2006 (1727)	19,8
	AW 55 TM 2007 (1734)	
AOB-1324-30.8	AW55 TM 01 (1334)	30,8
	AW55 TM 05 (1334)	
	AW55 TM 1506 (1334)	
	AW55 TM 2001 (1711)	
AOB-1324-51.8	AW55 TM 03 (1332)	51,8
AOB05-1324-80.5	AW55 TM 04 (1351)	80,4
AOB-1324-82.8	AW 55 TK 01 (1353)	82,8
	AW 55 TK 2001 (1725)	